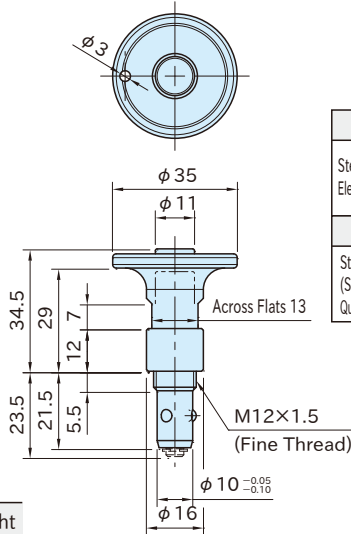


QCBU

RECESSED BUTTON LOCKING PINS

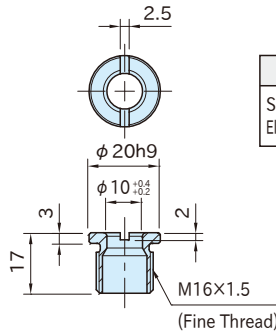


Body	Button
Steel (S45C) Electroless nickel plated	Steel (S45C) Electroless nickel plated Quenched and tempered
Ball	Coiled Spring
Stainless steel (SUS440C) Quenched and tempered	Stainless steel (SUS304WPB)

Part Number	Clamping Force (N)	Weight (g)
QCBU1012-16	50	75

QCBU-M

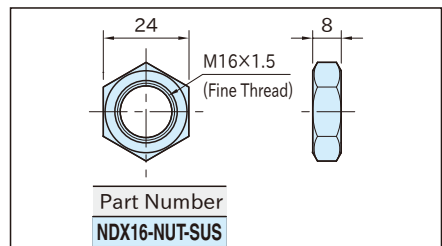
RECESSED-BUTTON-LOCKING-PIN BUSHINGS



Bushing
Steel (S45C) Electroless nickel plated

Part Number	Weight (g)
QCBU1012-M16	13

Nut (Stainless Steel) (Separately Sold)



Related Product Page

PW Plunger Wrench