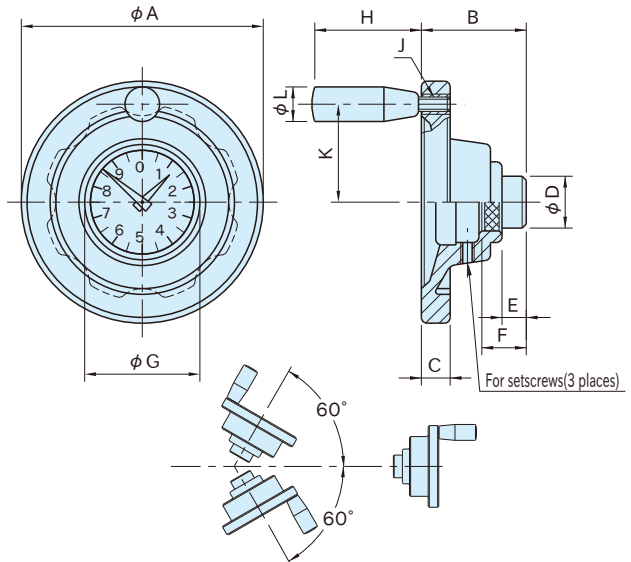


PDH PLASTIC INDICATOR HANDWHEELS



ELESA Original Design VDC+I



Angular Range of Mounting

Handwheel & Handle	Insert	Indicator	Dial Plate	Long Hand	Short Hand
Phenolic plastic Glossy Finish Black	Steel (SUM22L) Black oxide finish	Polyamide plastic Black matte	Aluminum (A1050P)	Red	Black

Size	A	B	C	D	E	F	G	H	J	K	L	Weight (g)
PDH	80	87	57	14	25	11	23	42	M6×1	34	18	255
	100	108	60		30	12	25	60		50	45	21
	125	125	61	16		35	15	30	M8×1.25	53	23	475
	160	160	72	18	18		30	80		68	26	775

Size	Part Number			Rotative Direction
	No. of Graduations : 10	No. of Graduations : 20	No. of Graduations : 30	
80	PDH 80R-1/10	PDH 80R-1/20	PDH 80R-1/30	Clockwise
	PDH 80L-1/10	PDH 80L-1/20	PDH 80L-1/30	Counterclockwise
100	PDH100R-1/10	PDH100R-1/20	PDH100R-1/30	Clockwise
	PDH100L-1/10	PDH100L-1/20	PDH100L-1/30	Counterclockwise
125	PDH125R-1/10	PDH125R-1/20	PDH125R-1/30	Clockwise
	PDH125L-1/10	PDH125L-1/20	PDH125L-1/30	Counterclockwise
160	PDH160R-1/10	PDH160R-1/20	PDH160R-1/30	Clockwise
	PDH160L-1/10	PDH160L-1/20	PDH160L-1/30	Counterclockwise