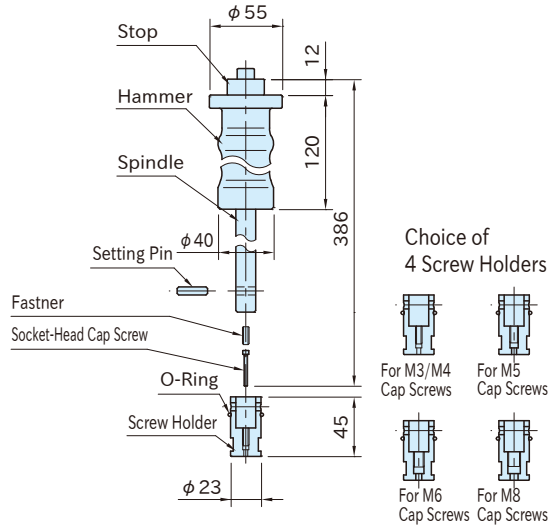


NKL

PIN EXTRACTORS



| Part Number | Weight (kg) |
|---------------|-------------|
| NKL-40 | 1.7 |

| Hammer | Spindle & Stop | Screw Holder |
|------------------------------------------------------|------------------------------------------------------|--------------------------------------------------------------------------------|
| Steel(S55C) Galvanized trivalent chromate treated | Steel(S45C) Galvanized trivalent chromate treated | Steel(SK105) Quenched and tempered Galvanized trivalent chromate treated |

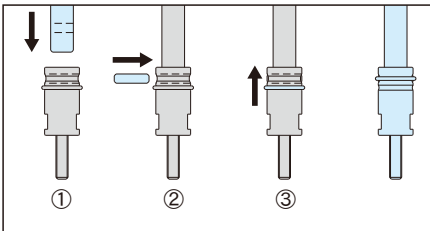
Included are :

1 of screw-holder container and each 1 of M3, M4, M5, M6 and M8 cap screws

Feature:

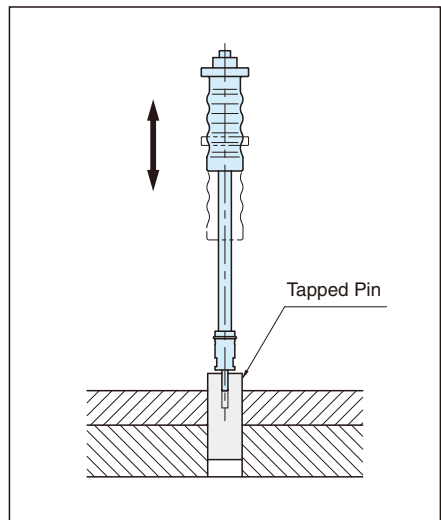
Screw holders can be easily secured to the spindle. The hammer is designed not to get fingers caught between the hammer and the stop.

How To Secure Screw Holders



- ① Insert the spindle into the screw holder.
- ② Insert the setting pin into the spindle.
- ③ Retain the setting pin with the O-ring.

How To Use



Perfect to pull out pins with M3 to M8 tapped holes.