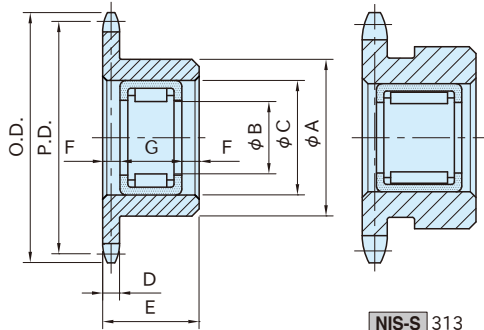


# NIS-S STEEL IDLE SPROCKETS



**NIS-S** 219, 420~812

**NIS-S** 313

Sprocket	Bearing
Steel (S45C) Induction hardened (teeth top) Black oxide finish	Steel

Part Number	Chain No.	No. of Teeth	O. D.	P. D.	A	B	C	D	E	F	G
<b>NIS219S</b>	25	19	41.5	38.58	26	12	19	2.8	16	0.5	15
<b>NIS313S</b>	35	13	44	39.80	32			4.3	20		
<b>NIS420S</b>	40	20	88	81.18	67	25	33	7.2	25	2.5	20
<b>NIS516S</b>	50	16	89	81.37	62			8.7			
<b>NIS614S</b>	60	14	95	85.61	62			11.7	32	6	
<b>NIS812S</b>	80	12	108	98.14	67			14.6	40	5	

Part Number	Bearing	Weight (g)	Proper Idler Pin
<b>NIS219S</b>	TA1215Z	50	SID1203
<b>NIS313S</b>		100	
<b>NIS420S</b>	TA2520Z	500	SID2506
<b>NIS516S</b>		615	
<b>NIS614S</b>		840	
<b>NIS812S</b>	TA2530Z	1,200	SID2508

- Available with needle bearing.
- **NIS219S** Idle Sprocket is not induction hardened on the teeth top.

### Technical Data

Allowable Bearing Radial Loads (N)  
 <for 3,000 hours of average service life>

Bearing	Speed (min <sup>-1</sup> )					
	100	200	300	500	1000	1500
<b>TA1215Z</b>	2980	2420	2160	1840	1490	1320
<b>TA2520Z</b>	7730	6280	5560	4770	3870	3430
<b>TA2530Z</b>	11300	9170	8120	6980	5660	5010