

LVA80 / LVE80

PLASTIC LEVELING FEET

RoHS

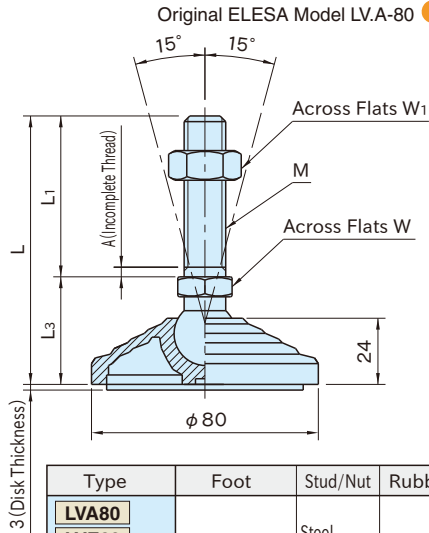
SUS

Conductive Design

Original ELESA Model LV.A-80



LVE
(Conductive Design)



Type	Foot	Stud/Nut	Rubber Disk
LVA80	Polyamide (glass-fiber reinforced)	Steel (SUM22L) Zinc plated	-
LVE80			Nitrile rubber (NBR)
LVAR80	Black matte	SUS304	-
LVER80			Nitrile rubber (NBR)
LVA80-SUS			-
LVE80-SUS			Nitrile rubber (NBR)
LVAR80-SUS			
LVER80-SUS			

Size	L	L ₃	L ₁	M	W	W ₁	A	Load Capacity (N)	
LVA80 LVE80 LVAR80 LVER80 LVA80-SUS LVE80-SUS LVAR80-SUS LVER80-SUS	8A	33	43	M 8×1.25	14	13	2	16,000	
	8B		68						
	10A		76						
	10B		101	68		M10×1.5			17
	10C		131						
	12A		76	43		M12×1.75			19
	12B	101	68						
	12C	131	98						
	16A	101	43	68	M16×2	16	24		4
	16B	141		108					
	16C	181		148					
	16D	201		168					
20A	141	98		M20×2.5	24		30	5	
20B	181	138							
20C	201	158							
20D	241	198	M24×3	36					
24A	141	98							
24B	201	158							
24C	241	198							

*Some items are not RoHS-compliant. Check out our website for the latest information.