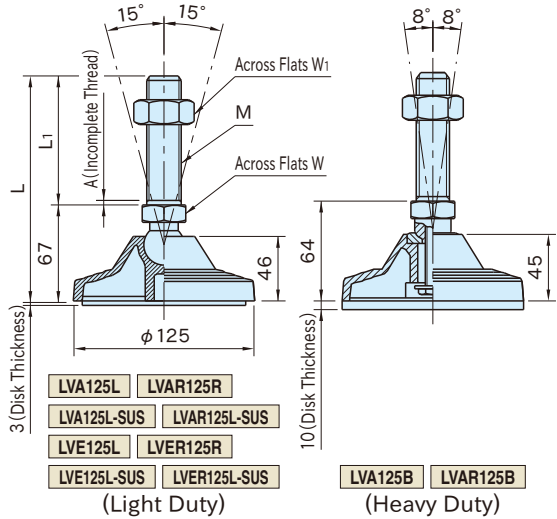


LVA125, LVE125

PLASTIC LEVELING FEET



Original ELESA Model LVA-125



Type	Foot	Stud/Nut	Rubber Disk
LVA125L LVA125B LVE125L	Polyamide (glass-fiber reinforced) Black matte	Steel (SUM221) Zinc plated	-
LVAR125L LVAR125B LVER125L			Nitrile rubber(NBR)
LVA125L-SUS LVE125L-SUS			Stainless Steel (SUS304)
LVAR125L-SUS LVER125L-SUS		Stainless Steel (SUS304)	Nitrile rubber (NBR)

LVA125L LVAR125L (Light Duty, Steel)

Without Rubber Disk		With Rubber Disk		L	L ₁	M	W	W ₁	A	Load Capacity(N)
Part Number	Weight (g)	Part Number	Weight (g)							
LVA125L20A	507	LVAR125L20A	633	165	98	M20×2.5	24	30	4	28,000
LVA125L20B	586	LVAR125L20B	712	205	138					
LVA125L20C	625	LVAR125L20C	751	225	158					
LVA125L20D	708	LVAR125L20D	834	265	198					
LVA125L24A	605	LVAR125L24A	731	165	98	M24×3	36	5		
LVA125L24B	777	LVAR125L24B	903	225	158					
LVA125L24C	895	LVAR125L24C	1,021	265	198					

※Some items are not RoHS-compliant. Check out our website for the latest information.