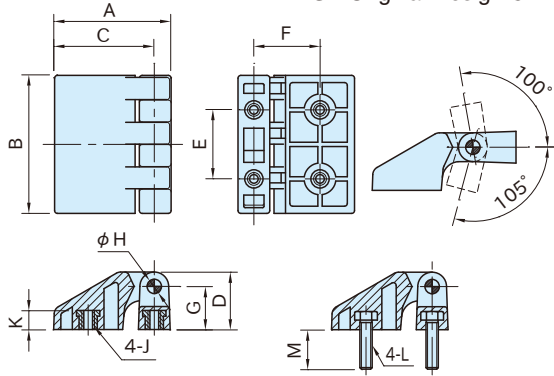




ELESA Original Design CFD.



EMH-SS
(Tapped)



EMH-SS
(Tapped)

EMH-TT
(Stud)

Body	Pivot Pin	Insert	Stud
Polyamide plastic Black matte	Stainless steel (SUS303)	Brass Nickel plated finish	Steel (SUM22L) Nickel plated finish

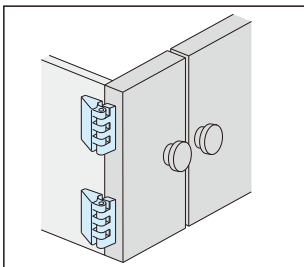
EMH-SS (Tapped)

Part Number	A	B	C	D	E	F	G	H	J	K	Weight (g)
EMH3030SS	26.5	30	22.5	12.5	15	15	9.5	2.5	M3×0.5	4	8
EMH4040SS	34	40	29	16.5	20	20.2	12.5	4	M4×0.7	5.5	19
EMH4050SS	40.5	48	35	20	24	23	15	5	M5×0.8	6.5	33
EMH5565SS	56	66	48.5	27.5	33	31.8	21	6	M6×1	9	76

EMH-TT (Stud)

Part Number	A	B	C	D	E	F	G	H	L	M	Weight (g)
EMH3030TT	26.5	30	22.5	12.5	15	15	9.5	2.5	M3×0.5	13	11
EMH4040TT	34	40	29	16.5	20	20.2	12.5	4	M4×0.7	18	26
EMH4050TT	40.5	48	35	20	24	23	15	5	M5×0.8	17	46
EMH5565TT	56	66	48.5	27.5	33	31.8	21	6	M6×1	16	95

How To Use



- Unsymmetrical design for use on thin doors.
- Pivot angle : Max. 205°
- Working temperature : Between -20°C and 80°C
- Use in hot or highly humid circumstances can deteriorate the plastic material properties.