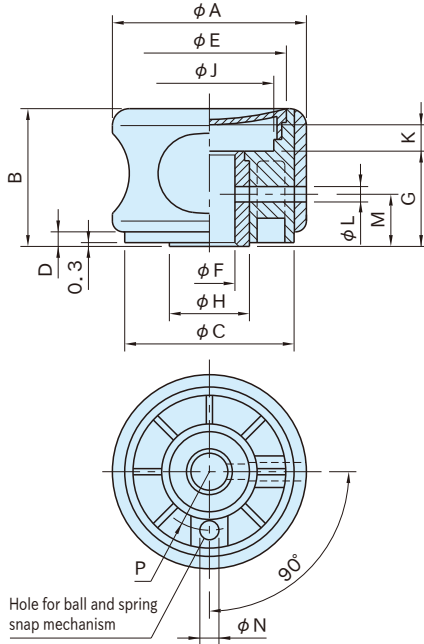


# EGK ERGOSTYLE GRIP KNOBS

**RoHS** ERGOSTYLE® **SOFT**

ELESA Original Design EGK.



Knob	Insert	Boss Cap
Glass-fiber reinforced polyamide plastic	Steel (SUM24L)	Polyamide plastic
Thermoplastic elastomer coated	Black oxide finish	Black matte, orange matte, gray matte, yellow matte, light blue matte or red matte
Black matte		

Part Number	A	B	C	D	E	F (H7)	G	H	J	K	L	M	N	P	Weight (g)
<b>EGK50</b>	50	38	43	3.5	40	10	22	22	28	12	4	14	4.2	15	95
<b>EGK63</b>	63	44	55		49.5	12	30	26	42	9	5	16	6.2	19	185

- Four concaves on the elastomer-coated diameter provide soft-touch gripping for comfortable operations.
- A hole provided in the bottom allows for ball and spring snap mechanism.
- Removable boss cap.
- Six choices of boss-cap color.
- Use in hot or highly humid circumstances can deteriorate the plastic material properties.
- A knob and a cap are packed separately and not delivered in assembly.