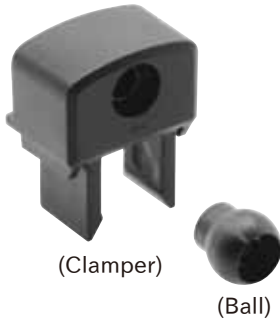


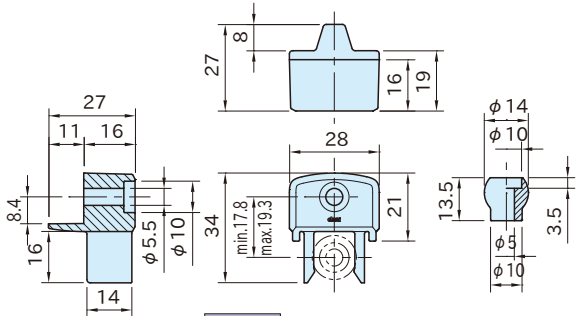
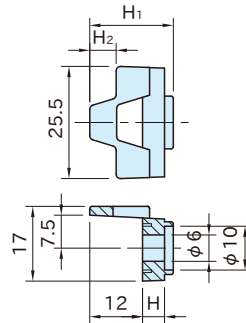
DLB**BALL-SHAPED DOOR LOCK**

Original ELESA Model BPS



(Clamper)

(Ball)

DLB30**DLB30** (Clamper, Ball)**DLB30-05****DLB30-10****DLB30-15****DLB30** -05~15
(Spacer)**DLB30** (Clamper, Ball)

Part Number	Holding Force (N)	Weight (g)
DLB30	30	10

DLB30 -05~15 (Spacer)

Part Number	H	H ₁	H ₂	Weight (g)
DLB30-05	5	19	6	3
DLB30-10	10	23	8	4
DLB30-15	15	28	9	5

Type	Clamper/Spacer	Ball
DLB30	Polyacetal plastic Black matte	Glass-fiber reinforced polyamide plastic Black matte
DLB30-05	Polyacetal plastic Black	—
DLB30-10		
DLB30-15		