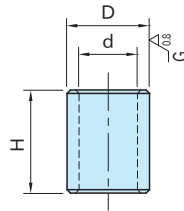


CP159

LOCATING BUSHINGS



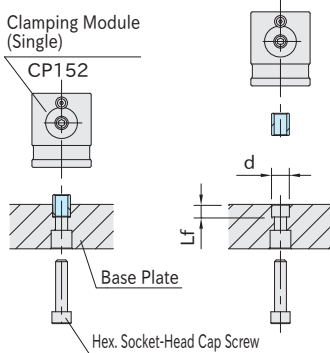
| Body |
|---|
| SCM435 steel Quenched and tempered Black oxide finished |

| Part Number | d | D (h6) | H | Weight (g) |
|-------------|------|--------|----|------------|
| CP159-08001 | 8.5 | 12 | 15 | 7 |
| CP159-12001 | 12.5 | 18 | 22 | 22 |
| CP159-16001 | 16.5 | 22 | 28 | 35 |

How To Use

Can be used for locating **CP152** Clamping Module (Single) on the base plate.

Mounting-Hole Dimensions

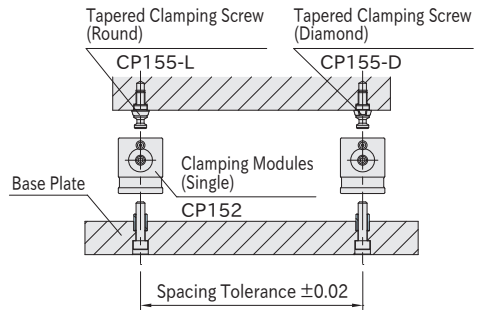


| Part Number | d (H7) | Lf |
|-------------|--------|------|
| CP159-08001 | 12 | 8.5 |
| CP159-12001 | 18 | 12.5 |
| CP159-16001 | 22 | 16.5 |

Related Products

- **CP152** Clamping Modules (Single)
- **CP155-L** Tapered Clamping Screws (Round)
- **CP155-D** Tapered Clamping Screws (Diamond)
- **CP156** Clamping Screws

Spacing Tolerance



Application Example

