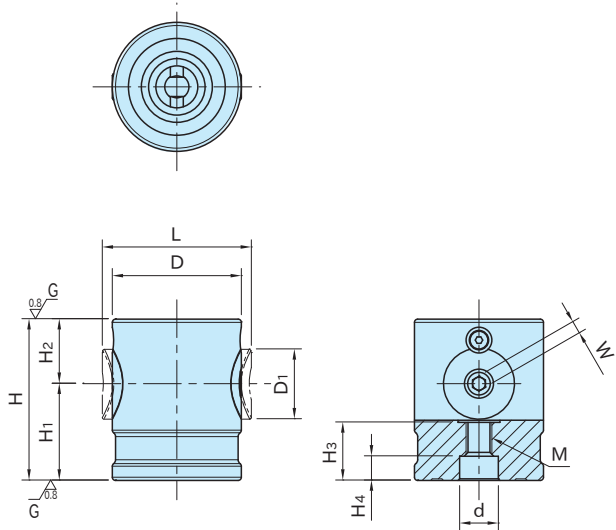


CP152

CLAMPING MODULES (Single)



Body	Clamping Nut	Locking Screw
SCM440 steel Induction hardened Black oxide finished Precision ground	SCM440 steel Quenched and tempered Black oxide finished	SCM435 steel Quenched and tempered Black oxide finished

Part Number	D	H (±0.01)	D ₁	L	H ₁	H ₂	H ₃	d (H7)	H ₄	M	W
CP152-08050	40	50	22	46	30	20	18	12	7.5	M 8×1.25	4
CP152-12080	60	80	32	69	50	30	25	18	10.5	M12×1.75	6
CP152-16100	80	100	44	91	60	40	31	22	12.5	M16×2	8

Part Number	Clamping Force (kN)	Allowable Screw Torque (N·m)	Weight (kg)
CP152-08050	8	8	0.5
CP152-12080	15	22	1.6
CP152-16100	25	50	3.8

Related Products

- **CP150** Clamping Modules (Flanged)
- **CP151** Clamping Modules (Double)
- **CP155-L** Tapered Clamping Screws (Round)
- **CP155-D** Tapered Clamping Screws (Diamond)
- **CP156** Clamping Screws
- **CP159** Locating Bushings