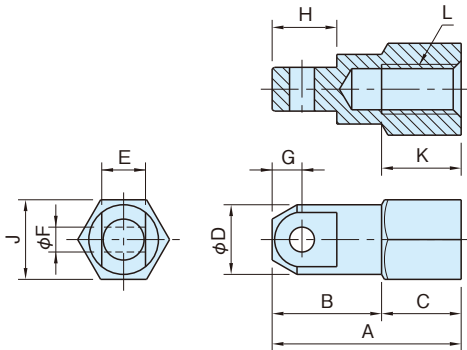


# CNS1 CHAIN NUTS



Body
Steel (S45C)
Black oxide finish
Heat treated to Rc33-39

Part Number	Chain No.	A	B	C	D	E	F	G	H
<b>CNS1- 25</b>	25	19	11	8	7	4.8	2.4	3	6.5
<b>CNS1- 35</b>	35	24.5	14.5	10	10	7.4	3.7	4.5	10.5
<b>CNS1- 40</b>	40	31	18	13	14	11.2	4	6	13
<b>CNS1- 50</b>	50	38.5	23.5	15	17	13.8	5.2	7.5	16.5
<b>CNS1- 60</b>	60	44	26	18	21	17.8	6	9	19.5
<b>CNS1- 80</b>	80	54	34	20	27	22.6	8	12	26
<b>CNS1-100</b>	100	67	42	25	33	27.5	9.6	15	32

Part Number	J	K	L	Load Capacity (N)	Weight (g)
<b>CNS1- 25</b>	8	8	M 5×0.8	700	5
<b>CNS1- 35</b>	10	10	M 6×1	1450	10
<b>CNS1- 40</b>	14	13	M 8×1.25	3000	30
<b>CNS1- 50</b>	17	15	M10×1.5	4800	50
<b>CNS1- 60</b>	22	18	M12×1.75	7000	95
<b>CNS1- 80</b>	27	20	M16×2	12800	180
<b>CNS1-100</b>	36	25	M20×2.5	19500	370

- Ensure that nobody stands under a lifting device where chain bolts are used.
- When Chain Bolts or chains are broken and serious damage is consequently conceivable, set a safety device to avoid danger.
- Chain Bolts must be inspected periodically and be replaced if necessary.
- The stated load capacity applies to tensile loads only.