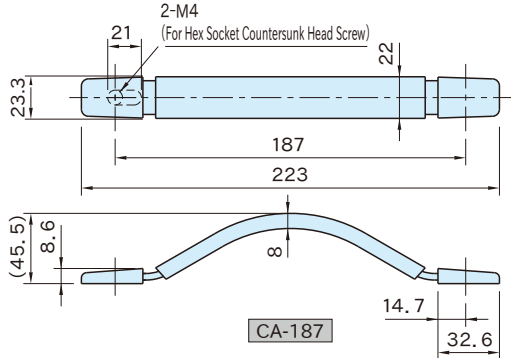


CA-187 / CA-205 CARRYING HANDLES



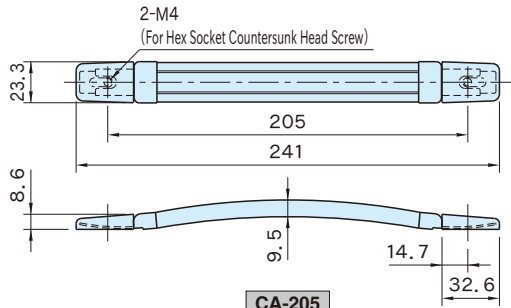
CA-187



CA-187



CA-205



CA-205

Handle (with Spring-Steel Insert)	Cover Cap
Polyvinyl chloride plastic Black	Steel Nickel plated finish

Part Number	Load Capacity (N)	Weight (g)
CA-187	300	65
CA-205		68

Installation Instructions

1. Remove both cover caps.
2. Secure a handle using countersunk head screws.
3. Mount both cover caps again.