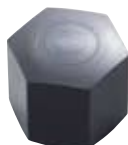


# BJ812

# REST BUTTONS



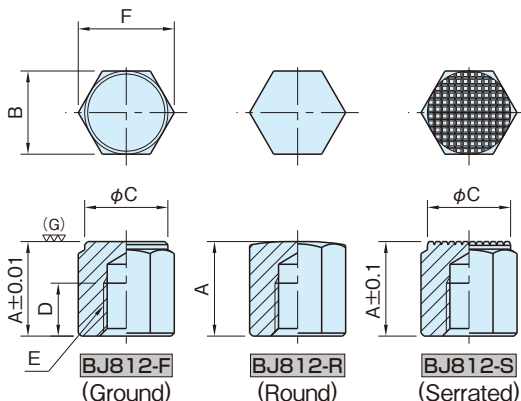
**BJ812-F**  
(Ground)



**BJ812-R**  
(Round)



**BJ812-S**  
(Serrated)



Material & Finish
Steel (SUM22L)
Carburized-hardened
Black oxide finish

Ground	Round	Serrated	A	B	C	D	E	F	Weight (g)
Part Number	Part Number	Part Number							
BJ812-08015-F	BJ812-08015-R	BJ812-08015-S	15	17	17	6	M 8×1.25	19.4	23
BJ812-08025-F	BJ812-08025-R	BJ812-08025-S	25			16			40
BJ812-12020-F	BJ812-12020-R	BJ812-12020-S	20	22	22	10	M12×1.75	25.2	52
BJ812-12025-F	BJ812-12025-R	BJ812-12025-S	25			15			65
BJ812-12030-F	BJ812-12030-R	BJ812-12030-S	30			20			77
BJ812-12040-F	BJ812-12040-R	BJ812-12040-S	40	25	25	25			105
BJ812-12050-F	BJ812-12050-R	BJ812-12050-S	50						25