

BJ735

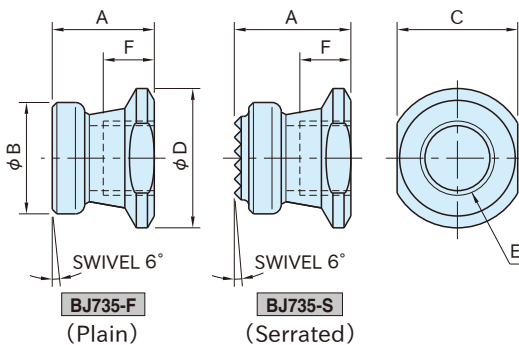
TOGGLE PADS



BJ735-F
(Plain)



BJ735-S
(Serrated)



Type	Body	Pad	Insert Tip
BJ735-F	Steel (SCM440)	Steel (SCM440) Quenched and tempered	-
BJ735-S	Black oxide finish	Black oxide finish Heat treated to Rc36-40	Carbide Black oxide finish

Part Number	A	B	C	D	E	F	Load Capacity (N)	Weight (g)
BJ735-06013-S	15.5	14	12	14.3	M 6×1	5.5	5,000	9
BJ735-06013-F	13							
BJ735-08014-S	19.5	16	14	16	M 8×1.25	7	10,000	13
BJ735-08014-F	17							
BJ735-10016-S	21.5	18	16	19.1	M10×1.5	8	13,000	19
BJ735-10016-F	18							
BJ735-12020-S	25.5	21	22	25.4	M12×1.75	9.5	24,000	28
BJ735-12020-F	22							
BJ735-16022-S	28	24	22	25.4	M16×2	11	38,000	43
BJ735-16022-F	25							
BJ735-20025-S	33	28	30	31.5	M20×2.5	13.5	57,000	73
BJ735-20025-F	29							

How To Use

