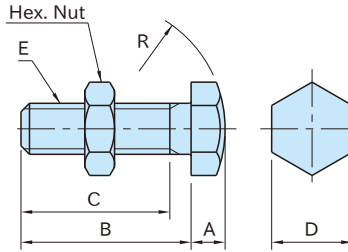


BJ732

CONTACT BOLTS



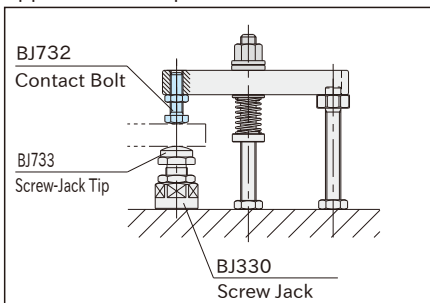
(Steel) (Stainless steel)



Type	Body
BJ732	Steel (SCM435) Quenched and tempered Case hardened (on radius end) Black oxide finish
BJ732-SUS	Stainless steel (SUS440C) Case hardened (on radius end)

Steel	Stainless Steel	A	B	C	D	E	R	Weight (g)
Part Number	Part Number							
BJ732-06025	BJ732-06025-SUS		25	22				7
BJ732-06035	BJ732-06035-SUS	5	35	32	10	M 6X1	R15	9
BJ732-06045	BJ732-06045-SUS		45	42				11
BJ732-08030	BJ732-08030-SUS		30	27				16
BJ732-08040	BJ732-08040-SUS	6	40	37	13	M 8X1.25	R17.5	19
BJ732-08050	BJ732-08050-SUS		50	47				22
BJ732-10040	BJ732-10040-SUS		40	37				33
BJ732-10050	BJ732-10050-SUS	8	50	47	17	M10X1.5	R20	38
BJ732-10060	BJ732-10060-SUS		60	57				42
BJ732-12050	BJ732-12050-SUS		40	35				60
BJ732-12060	BJ732-12060-SUS		60	55	19	M12X1.75	R30	65
BJ732-12070	BJ732-12070-SUS	10	70	65				70
BJ732-16055	-		45	40				110
BJ732-16065	-		65	60	24	M16X2	R35	125
BJ732-16075	-		75	70				135
BJ732-20060	-		60	55				205
BJ732-20075	-	15	75	70	30	M20X2.5	R40	235
BJ732-20090	-		90	85				265
BJ732-24060	-		60	55				325
BJ732-24080	-	18	80	75	36	M24X3	R45	380
BJ732-24100	-		100	95				430

Application Example



Use to distribute clamping pressure to irregular workpiece surfaces.