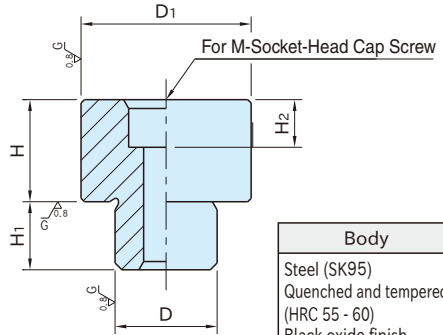


BJ401

EDGE LOCATING PINS



Body
Steel (SK95)
Quenched and tempered (HRC 55 - 60)
Black oxide finish
Precision ground

Part Number	D ₁ (±0.01)	H	D (h6)	H ₁ (-0.03)	H ₂	M	Weight (g)
BJ401-04001	15	10	10	8	5	M 4	15
BJ401-04002		20					28
BJ401-06001	20	15	15	10	7	M 6	41
BJ401-06002		25					63
BJ401-06003	25	15	15	10	7	M 6	62
BJ401-06004		30					115
BJ401-10001	30	15	20	12	11	M10	79
BJ401-10002		35					175
BJ401-10003	35	15	20	12	11	M10	109
BJ401-10004		35					245
BJ401-12001	40	20	25	15	13	M12	192
BJ401-12002		40					364
BJ401-12003	45	20	25	15	13	M12	244
BJ401-12004		40					468

How To Use

