

# ALV

# ALUMINUM ANGLED-SPOKE HANDWHEELS



**ALV-N**

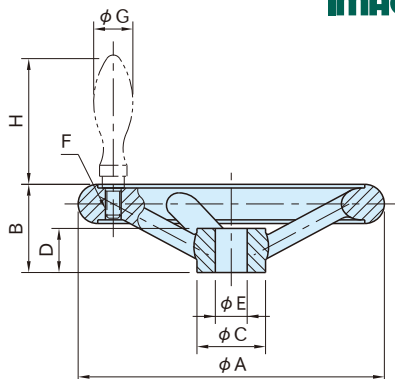
(Without Handle-Mounting Tapped Hole)



**ALV**

(With Handle-Mounting Tapped Hole)

Note: Handle must be ordered separately.



Handwheel
Aluminum alloy (AC4B)
Buffed finish

Without Handle-Mounting Tapped Hole	With Handle-Mounting Tapped Hole		No. of Spokes	A	B	C	D	E (H8)	Weight (g)	
Part Number	Part Number	F								
<b>ALV 80N</b>	<b>ALV 80</b>	M 6x1	3	80	29	24	16	10	125	
<b>ALV100N</b>	<b>ALV100</b>			100	33	26	17		220	
<b>ALV125N</b>	<b>ALV125</b>	M 8x1.25		125	36	32	18	12	305	
<b>ALV140N</b>	<b>ALV140</b>			140	39		19	14	400	
<b>ALV160N</b>	<b>ALV160</b>	M10x1.5		160	40	35	20		16	530
<b>ALV180N</b>	<b>ALV180</b>			180	43		22	675		
<b>ALV200N</b>	<b>ALV200</b>	M12x1.75		5	200	45	42	24	18	900
<b>ALV225N</b>	<b>ALV225</b>				225	48		26	20	1,240
<b>ALV250N</b>	<b>ALV250</b>		M12x1.75		250	50	50	28	22	1,570
<b>ALV280N</b>	<b>ALV280</b>				280	53		30	24	2,220
<b>ALV315N</b>	<b>ALV315</b>				315	56		33	26	2,490

With Handle-Mounting Tapped Hole Part Number	Recommended Aluminum Fixed Handles			Recommended Aluminum Revolving Handles		
	Part Number	G	H	Part Number	G	H
<b>ALV 80</b>	<b>ALG16</b>	16	50	<b>ALG16R</b>	16	54.5
<b>ALV100</b>						
<b>ALV125</b>	<b>ALG20</b>	20	64	<b>ALG20R</b>	20	67
<b>ALV140</b>						
<b>ALV160</b>	<b>ALG25</b>	25	80	<b>ALG25R</b>	25	83
<b>ALV180</b>						
<b>ALV200</b>						
<b>ALV225</b>	<b>ALG32</b>	32	100	<b>ALG32R</b>	32	105.5
<b>ALV250</b>						
<b>ALV280</b>						
<b>ALV315</b>						

### Notes

Slight dimensional variations can be caused due to buffed finish.