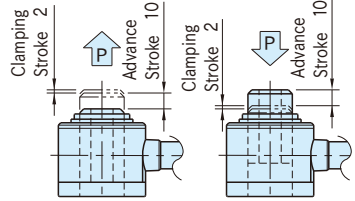
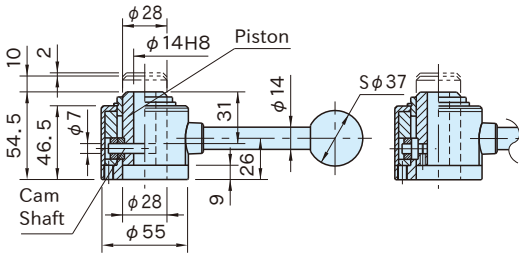


ACR,ACL

ACTIMA CLAMPS



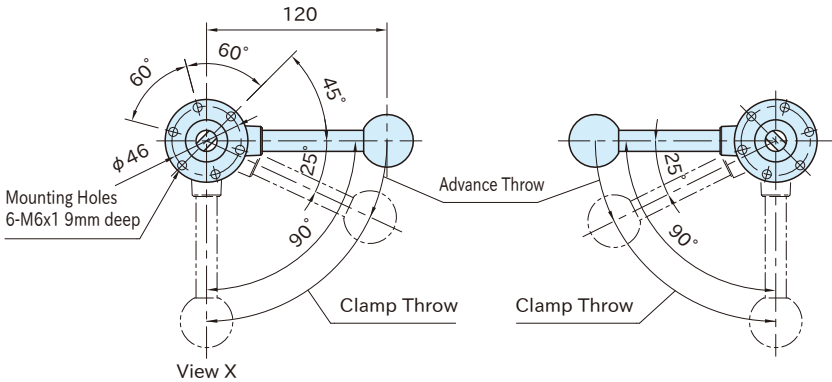
Body/Lever	Piston	Body Cover	Ball knob
Steel (SUM22L) Black oxide finish	Steel (SCM440) Black oxide finish	Glass-fiber reinforced polyamide plastic	Phenolic plastic Red



(Push Style) (Pull Style)

ACR ACL
ACR-N ACR-N-PL
ACL-N ACL-N-PL

(Cam Shaft Across Piston) (Cam Shaft Not Across Piston)



View X
(Clockwise Clamping)

(Counterclockwise Clamping)

Part Number	Cam Shaft	Style	Clamping Direction	Clamping Force (N)	Operating Load (N)	Weight (g)				
ACR	Across	Push	Clockwise	4,905	400	865				
ACL			Counterclockwise							
ACR-N	Not Across	Push	Clockwise			4,905	400	855		
ACL-N			Counterclockwise							
ACR-N-PL	Not Across	Pull	Clockwise					4,905	400	855
ACL-N-PL			Counterclockwise							