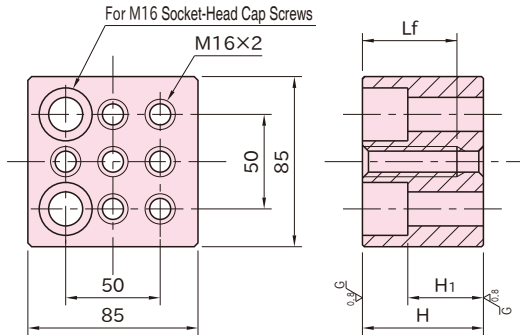
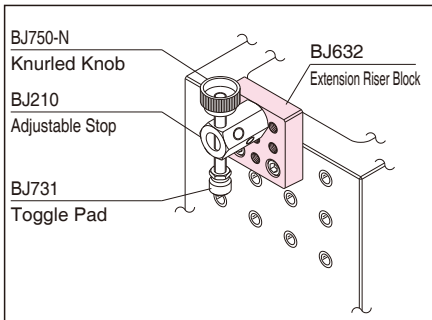


BJ632**EXTENSION RISER BLOCKS**

Material : S45C steel
 Finish : Black oxide
 Precision ground

Part Number	H (± 0.01)	H ₁	Lf	Weight (kg)
BJ632-16025	25	8	Through	1.2
BJ632-16032	32	15		1.4
BJ632-16040	40	23		1.8
BJ632-16050	50	33	35	2.3

How To Use

Stackable blocks that can be used to extend components beyond the edge of a tooling plate or block.

Feature:

Precision ground on both top and bottom faces