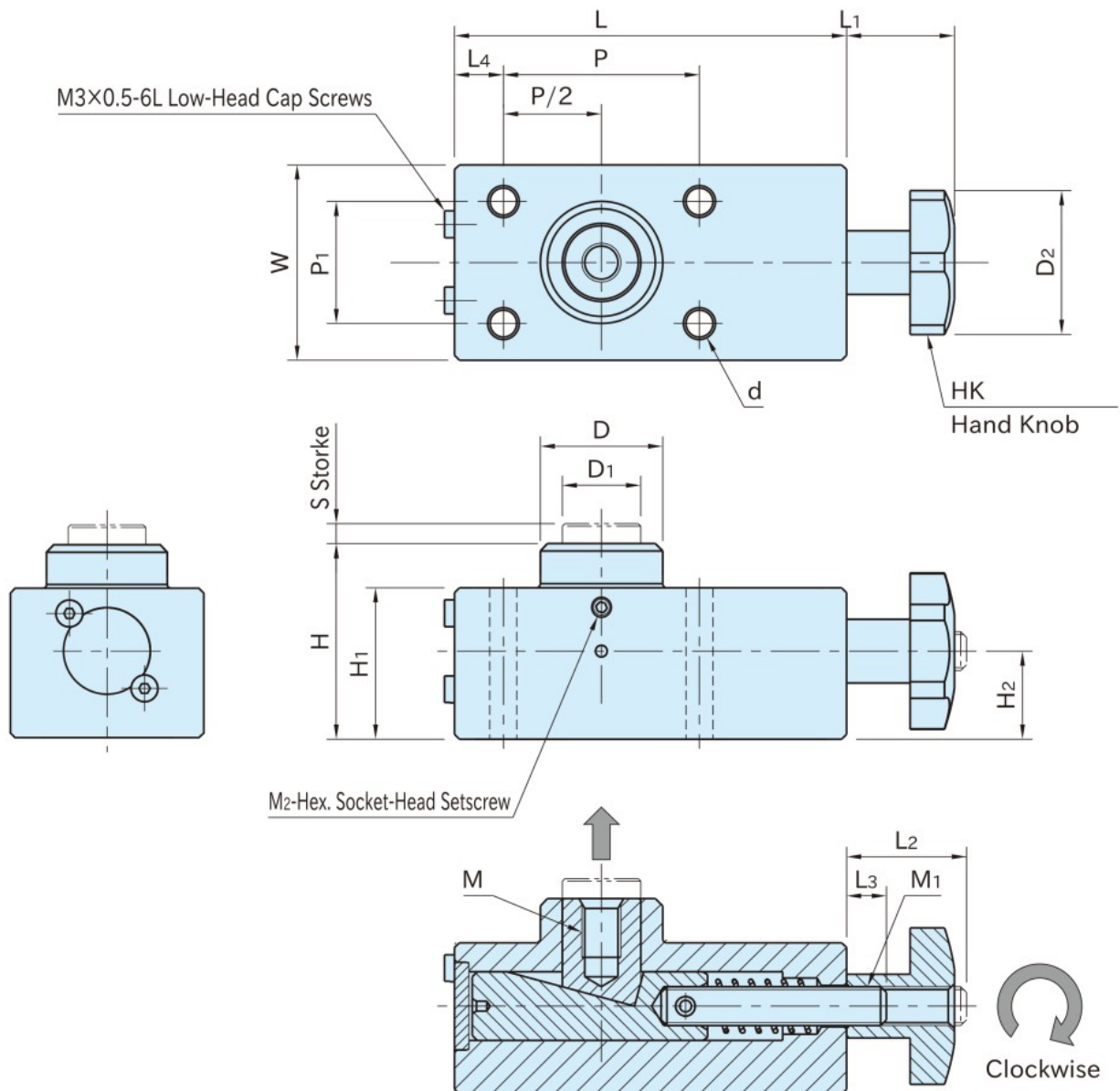


CP300

EXTENDABLE WORK SUPPORTS



Body	Piston & Locking Pin	Spindle	Knob
Steel (S45C) Black oxide finish	Steel (SK95) Quenched and tempered Black oxide finish	Steel (S45C) Quenched and tempered Black oxide finish	FC200 cast iron Chrome plated



Turn the hand knob clockwise to raise the locking pin.

Turn the hand knob counterclockwise and push the locking pin to lower the locking pin.