

Air Booster Nozzles

For blowers

Round Type

FEATURES

- Blower air nozzles, **reducing energy cost to one-third** of that for compressed air driven nozzles.
- Unique design combining air-amplification, even air blow distribution, and low-noise capabilities.

Round Type



【Spray pattern】

► Air nozzle with pinpoint aim for gaps and narrow spaces.

Plastic



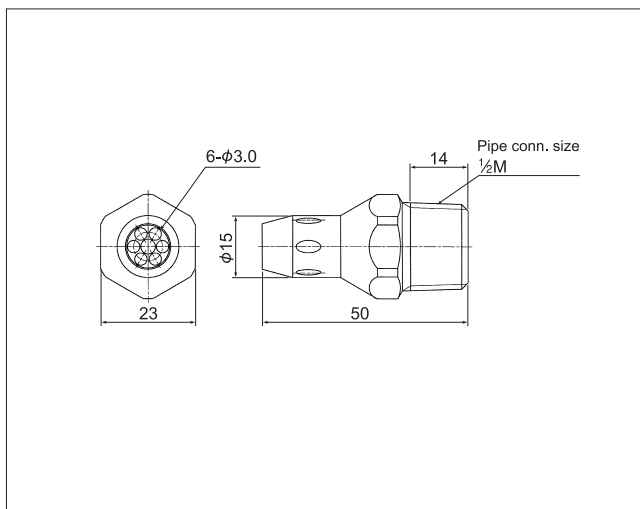
Material: ABS
 Mass: 8 g
 Max. air pressure: 100 kPa (14 psi)
 Max. allowable temperature: 80°C (170°F)

Metal



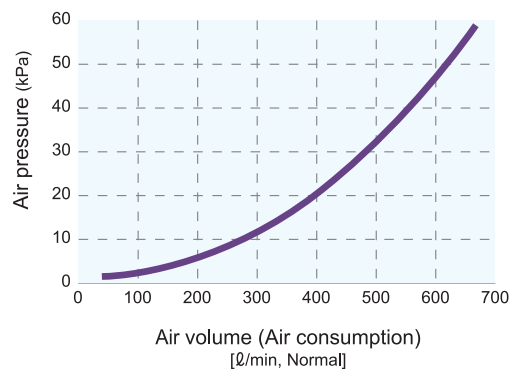
Material: Aluminum A5052
 Mass: 20 g
 Max. air pressure: 100 kPa (14 psi)
 Max. allowable temperature: 400°C (750°F)

Dimensions



Air consumption (ℓ/min, Normal)

Air pressure			
20 kPa	30 kPa	40 kPa	50 kPa
400	490	550	610



How to order

Please inquire or order using this product code (select material).

<Example> 1/2M TF-BR 6-030 ABS

1/2M TF-BR 6-030 ABS

Material
 ■ ABS
 ■ A5052