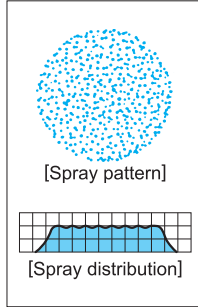
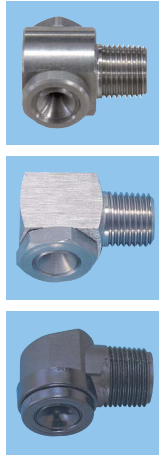


# Clog-resistant Vaneless Full Cone Spray Nozzles

## AJP/AJP-PPS

Full Cone



### [Features]

- Full cone spray pattern with a round impact area and uniform distribution.
- Unique design to produce fine atomization by liquid impinging inside chamber without a whirler.
- No-whirler design with large free passage diameter minimizes clogging.
- Spraying axis 90° from the axis of the nozzle inlet.
- For spraying chemicals such as hydrochloric acid, PPS-injection molded AJP are available for excellent chemical and heat resistance.

### [Standard Pressure]

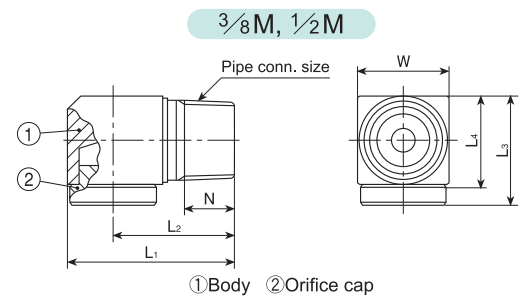
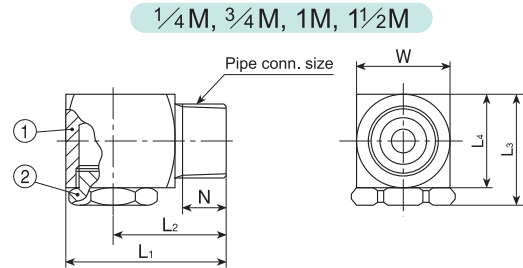
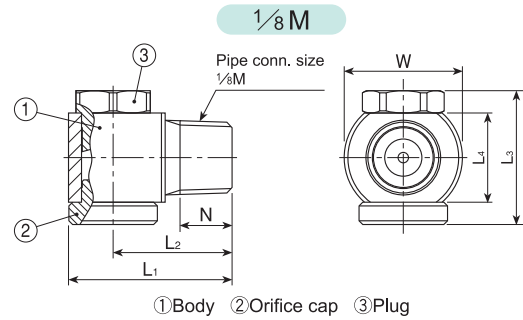
0.2 MPa

### [Applications]

Cleaning: Pre-painting treatment, washing booths, machine parts, gas, incinerator fumes  
 Cooling: Steel plates, copper pieces, gas  
 Spraying: Aeration, foam breaking  
 Others: Applications where re-circulated water is being used or clogging is a concern

## AJP series

AJP series	
Structure	<ul style="list-style-type: none"> <li>• Comprises nozzle body and orifice cap</li> <li>• Only 1/8M size comprises nozzle body, orifice cap, and plug.</li> <li>• Orifice cap of sizes 3/8M and 1/2M are pressed into bodies.</li> <li>• No obstructions in nozzle interior.</li> </ul>
Material	<ul style="list-style-type: none"> <li>• Body: S304 or S303 or SCS13 (vary by nozzle code)</li> <li>• Orifice cap: S303</li> <li>• Optional material: S316</li> </ul>



Pipe conn. size	Dimensions (mm)						Mass (g)
	L <sub>1</sub>	L <sub>2</sub>	L <sub>3</sub>	L <sub>4</sub>	W	N	
1/8M	22	16	18	12	15.9	7	23
1/4M	32	23	20.5	16	16	10.5	55
3/8M	36	26	23.5	19	20	11	70
1/2M	46	33.5	31	25	25	14	180
3/4M	55	39	38	32	32	15	340
1M	70	50	48	40	40	18	670
1 1/2M	100	70	72	58.5	58.5	20	2,400

[Note] Appearance and dimensions may differ slightly depending on materials and nozzle codes.

## AJP-PPS series

AJP-PPS series	
Structure	<ul style="list-style-type: none"> <li>• One-piece structure with orifice cap electrodeposited to the body.</li> <li>• No obstructions in nozzle interior.</li> </ul>
Material	• PPS (polyphenylene sulfide)

Pipe conn. size	Dimensions (mm)						Mass (g)
	L <sub>1</sub>	L <sub>2</sub>	L <sub>3</sub>	L <sub>4</sub>	W	N	
1/4M	32.5	23	20.5	17	16	10.5	6.8
3/8M	37	26	23	20	19	11	10.3

[Note] Appearance and dimensions may differ slightly depending on materials and nozzle codes.

