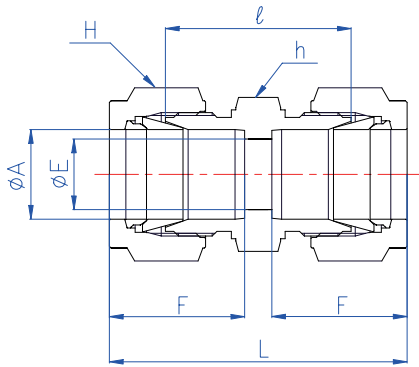
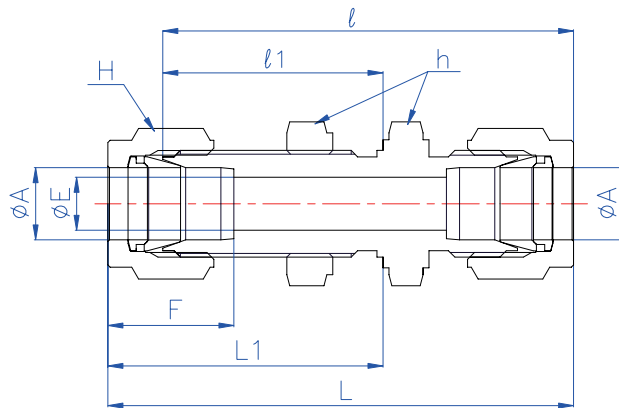


<b>BI-LoK</b>	<b>MDUA</b>	<b>Union</b> Connects metric tubes
---------------	-------------	---------------------------------------



Part No.	A	E	h	H	l	L	F
	mm	mm	HEX	HEX	mm	mm	mm
MDUA 2M	2	1.3	12	12	21.2	32.4	11.1
MDUA 3M	3	2.4	12	12	23.4	36.8	13.0
MDUA 4M	4	2.7	12	13	25.0	38.6	13.9
MDUA 6M	6	4.8	14	14	27.3	42.3	15.4
MDUA 8M	8	6.4	17	17	29.4	44.4	16.3
MDUA 10M	10	7.9	19	19	32.0	47.6	17.3
MDUA 12M	12	9.5	22	22	32.0	52.4	22.9
MDUA 15M	15	12.0	24	27	33.5	53.5	24.3
MDUA 16M	16	12.7	24	27	33.5	53.9	24.5
MDUA 18M	18	15.1	27	30	34.5	54.9	24.5
MDUA 20M	20	16.5	30	30	35.9	56.3	24.5
MDUA 22M	22	18.3	32	32	35.9	56.3	26.1
MDUA 25M	25	22.5	36	41	41.8	66.8	31.6

<b>BI-LoK</b>	<b>MDSU</b>	<b>Bulkhead Union</b> Connects metric tubes
---------------	-------------	--



Part No.	A	E	h	H	l	l1	L	L1	F	Panel	
	mm	mm	HEX	HEX	mm	mm	mm	mm	mm	hole	thick
MDSU 3M	3	2.4	14	12	39.6	24.4	53.0	31.1	13.0	8.3	12.7
MDSU 4M	4	2.7	14	13	42.1	25.5	55.7	32.3	13.9	9.9	10.4
MDSU 6M	6	4.8	17	14	43.9	26.0	58.9	33.5	15.4	11.5	9.7
MDSU 8M	8	6.4	19	17	47.2	28.5	62.2	36.0	16.3	13.1	11.4
MDSU 10M	10	7.9	22	19	49.5	29.5	65.1	37.3	17.3	16.3	11.6
MDSU 12M	12	9.5	24	22	52.4	32.0	72.8	42.2	22.9	19.4	13.1
MDSU 15M	15	12.0	27	27	54.1	32.5	74.1	42.5	24.3	22.6	12.0
MDSU 16M	16	12.7	27	27	54.1	32.5	74.5	42.7	24.5	22.6	12.0
MDSU 18M	18	15.1	30	30	56.5	32.5	76.9	42.7	24.5	25.8	16.7
MDSU 20M	20	16.5	32	30	60.7	37.3	81.1	47.5	24.5	27.0	16.7
MDSU 22M	22	18.3	36	32	67.2	37.3	87.6	47.5	26.1	29.0	16.7
MDSU 25M	25	22.5	41	41	73.4	45.2	98.4	57.7	31.6	33.7	20.0