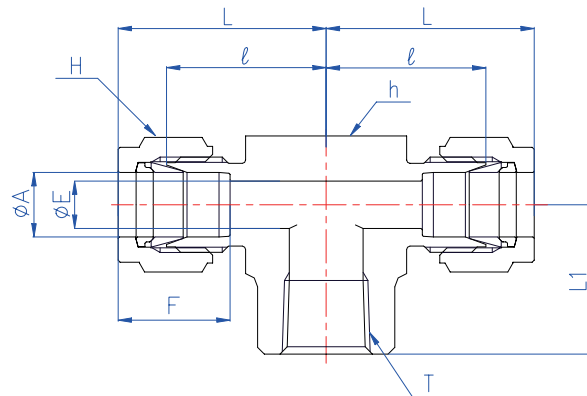


BI-LoK**MDTH**
Female Branch Tee
 Connects metric tube to male tapered pipe thread


Part No.		A	T	E	h	H	l	L	L ₁	F
ANSI NPT	ISO/JIS Rc	mm	NPT/Rc	mm	Flat	HEX	mm	mm	mm	mm
MDTH 3M-2	MDTH 3M-R2	3	1/8	2.4	17	12	20.0	26.7	19.0	13.0
MDTH 3M-4	MDTH 3M-R4	3	1/4	2.4	22	12	21.4	28.1	22.5	13.0
MDTH 4M-2	MDTH 4M-R2	4	1/8	2.7	17	13	21.0	27.8	19.0	13.9
MDTH 4M-4	MDTH 4M-R4	4	1/4	2.7	22	13	22.4	29.2	22.5	13.9
MDTH 6M-2	MDTH 6M-R2	6	1/8	4.8	17	14	21.0	28.5	19.0	15.4
MDTH 6M-4	MDTH 6M-R4	6	1/4	4.8	22	14	22.4	29.9	22.5	15.4
MDTH 6M-6	MDTH 6M-R6	6	3/8	4.8	24	14	26.2	33.7	22.5	15.4
MDTH 8M-4	MDTH 8M-R4	8	1/4	6.4	22	17	23.9	31.4	22.5	16.3
MDTH 8M-6	MDTH 8M-R6	8	3/8	6.4	24	17	26.2	33.7	22.5	16.3
MDTH 8M-8	MDTH 8M-R8	8	1/2	6.4	27	17	28.0	35.5	28.5	16.3
MDTH 10M-4	MDTH 10M-R4	10	1/4	7.9	22	19	25.0	32.8	22.5	17.3
MDTH 10M-6	MDTH 10M-R6	10	3/8	7.9	24	19	26.2	34.0	22.5	17.3
MDTH 10M-8	MDTH 10M-R8	10	1/2	7.9	27	19	28.0	35.8	28.5	17.3
MDTH 12M-4	MDTH 12M-R4	12	1/4	9.5	22	22	27.0	37.2	22.5	22.9
MDTH 12M-6	MDTH 12M-R6	12	3/8	9.5	24	22	27.0	37.2	22.5	22.9
MDTH 12M-8	MDTH 12M-R8	12	1/2	9.5	27	22	28.2	38.2	28.5	22.9
MDTH 15M-6	MDTH 15M-R6	15	3/8	12.0	24	27	28.0	38.0	27.0	24.3
MDTH 15M-8	MDTH 15M-R8	15	1/2	12.0	27	27	28.0	38.0	28.5	24.3
MDTH 15M-12	MDTH 15M-R12	15	3/4	12.0	36	27	32.5	42.5	32.5	24.3
MDTH 16M-4	MDTH 16M-R4	16	1/4	12.7	24	27	28.0	38.2	27.0	24.5
MDTH 16M-6	MDTH 16M-R6	16	3/8	12.7	24	27	28.0	38.2	27.0	24.5
MDTH 16M-8	MDTH 16M-R8	16	1/2	12.7	27	27	28.0	38.2	28.5	24.5
MDTH 16M-12	MDTH 16M-R12	16	3/4	12.7	36	27	32.5	42.7	32.5	24.5
MDTH 18M-6	MDTH 18M-R6	18	3/8	15.1	27	30	28.0	38.2	27.0	24.5
MDTH 18M-8	MDTH 18M-R8	18	1/2	15.1	27	30	28.0	38.2	28.5	24.5
MDTH 18M-12	MDTH 18M-R12	18	3/4	15.1	36	30	32.5	42.7	32.5	24.5
MDTH 20M-8	MDTH 20M-R8	20	1/2	16.5	30	30	32.5	42.7	32.5	24.5
MDTH 20M-12	MDTH 20M-R12	20	3/4	16.5	36	30	32.5	42.7	32.5	24.5
MDTH 22M-8	MDTH 22M-R8	22	1/2	18.3	30	32	32.5	42.7	32.5	26.1
MDTH 22M-12	MDTH 22M-R12	22	3/4	18.3	36	32	32.5	42.7	32.5	26.1
MDTH 25M-6	MDTH 25M-R6	25	3/8	22.5	36	41	36.0	48.5	32.5	31.6
MDTH 25M-12	MDTH 25M-R12	25	3/4	22.5	36	41	36.0	48.5	36.0	31.6