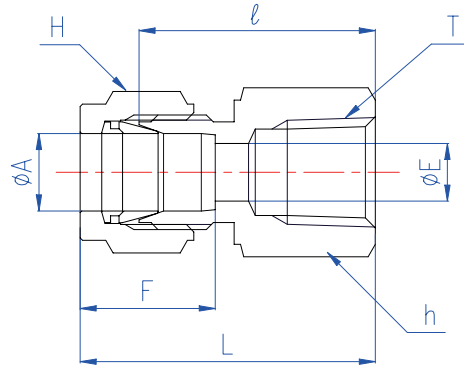


**BI-LoK****M D S A****Female Connector**  
Connects metric tube to male tapered pipe thread

Part No.		A	T	E	h	H	$l$	L	F
ANSI NPT	ISO/JIS Rc	mm	NPT/Rc	mm	HEX	HEX	mm	mm	mm
MDSA 2M-2	MDSA 2M-R2	2	1/8	1.3	14	12	22.2	27.8	11.1
MDSA 3M-2	MDSA 3M-R2	3	1/8	2.4	14	12	23.3	30.0	13.0
MDSA 3M-4	MDSA 3M-R4	3	1/4	2.4	19	12	28.0	34.4	13.0
MDSA 4M-2	MDSA 4M-R2	4	1/8	2.7	14	13	24.0	30.8	13.9
MDSA 4M-4	MDSA 4M-R4	4	1/4	2.7	19	13	28.6	35.4	13.9
MDSA 6M-2	MDSA 6M-R2	6	1/8	4.8	14	14	24.6	32.1	15.4
MDSA 6M-4	MDSA 6M-R4	6	1/4	4.8	19	14	29.4	36.9	15.4
MDSA 6M-6	MDSA 6M-R6	6	3/8	4.8	22	14	32.1	39.6	15.4
MDSA 6M-8	MDSA 6M-R8	6	1/2	4.8	27	14	36.6	44.1	15.4
MDSA 8M-2	MDSA 8M-R2	8	1/8	6.4	17	17	28.4	35.9	16.3
MDSA 8M-4	MDSA 8M-R4	8	1/4	6.4	19	17	30.3	37.8	16.3
MDSA 8M-6	MDSA 8M-R6	8	3/8	6.4	22	17	32.1	39.6	16.3
MDSA 8M-8	MDSA 8M-R8	8	1/2	6.4	27	17	37.4	44.9	16.3
MDSA 10M-4	MDSA 10M-R4	10	1/4	7.9	19	19	30.2	38.0	17.3
MDSA 10M-6	MDSA 10M-R6	10	3/8	7.9	22	19	33.7	41.5	17.3
MDSA 10M-8	MDSA 10M-R8	10	1/2	7.9	27	19	37.4	45.2	17.3
MDSA 10M-12	MDSA 10M-R12	10	3/4	7.9	32	19	40.9	48.7	17.3
MDSA 12M-2	MDSA 12M-R2	12	1/8	9.5	22	22	30.0	40.2	22.9
MDSA 12M-4	MDSA 12M-R4	12	1/4	9.5	22	22	32.6	42.8	22.9
MDSA 12M-6	MDSA 12M-R6	12	3/8	9.5	22	22	32.9	43.1	22.9
MDSA 12M-8	MDSA 12M-R8	12	1/2	9.5	27	22	36.6	46.8	22.9
MDSA 12M-12	MDSA 12M-R12	12	3/4	9.5	32	22	40.9	51.1	22.9
MDSA 15M-6	MDSA 15M-R6	15	3/8	12.0	24	27	32.9	42.9	24.3
MDSA 15M-8	MDSA 15M-R8	15	1/2	12.0	27	27	37.4	47.4	24.3
MDSA 16M-6	MDSA 16M-R6	16	3/8	12.7	24	27	32.9	43.1	24.5
MDSA 16M-8	MDSA 16M-R8	16	1/2	12.7	27	27	37.4	47.6	24.5
MDSA 16M-12	MDSA 16M-R12	16	3/4	12.7	32	27	40.9	51.1	24.5
MDSA 16M-16	MDSA 16M-R16	16	1	12.7	41	27	47.0	57.2	24.5
MDSA 18M-4	MDSA 18M-R4	18	1/4	15.1	27	30	33.0	43.2	24.5
MDSA 18M-6	MDSA 18M-R6	18	3/8	15.1	27	30	33.4	43.6	24.5
MDSA 18M-8	MDSA 18M-R8	18	1/2	15.1	27	30	37.4	47.6	24.5
MDSA 18M-12	MDSA 18M-R12	18	3/4	15.1	32	30	40.9	51.1	24.5
MDSA 20M-6	MDSA 20M-R6	20	3/8	16.5	30	30	36.0	46.2	24.5
MDSA 20M-8	MDSA 20M-R8	20	1/2	16.5	30	30	39.9	50.1	24.5
MDSA 20M-12	MDSA 20M-R12	20	3/4	16.5	32	30	40.9	51.1	24.5
	MDSA 20M-R16	20	1	16.5	41	30	46.5	56.7	24.5
MDSA 22M-12	MDSA 22M-R12	22	3/4	18.3	32	32	40.9	51.1	24.5
MDSA 25M-8	MDSA 25M-R8	25	1/2	22.5	36	41	43.0	55.5	31.6
MDSA 25M-12	MDSA 25M-R12	25	3/4	22.5	36	41	45.0	57.5	31.6
MDSA 25M-16	MDSA 25M-R16	25	1	22.5	41	41	50.8	63.3	31.6