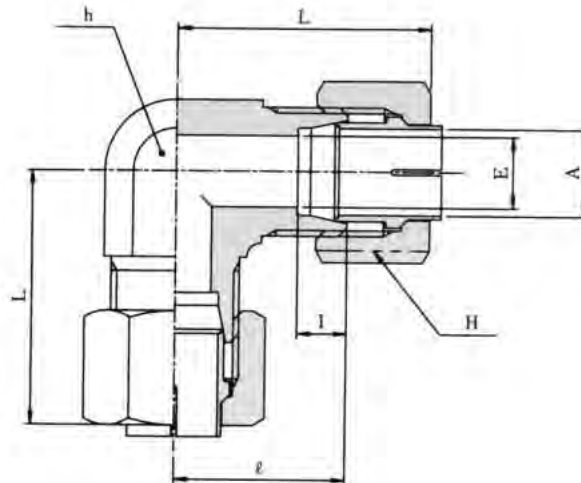


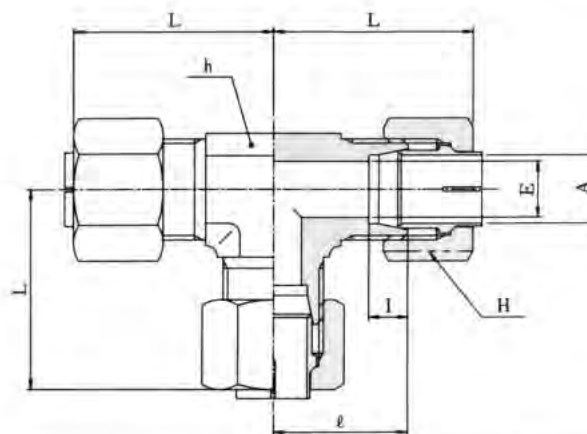
エルボ
UNION ELBOW



Unit : mm

| 継手の呼び Part No. | Tube OD A | E | 二面幅 Flats h | 六角対辺 Hex. H | I | ℓ | Approx. L (約) | 重量 (kg) |
|-------------------|--------------|-----|-------------------|-------------------|-----|------|------------------|------------|
| KLA06-000CE | 6 | 4.5 | 12 | 12 | 5.5 | 17 | 26.3 | 0.032 |
| KLA08-000CE | 8 | 6 | 12 | 14 | 5.5 | 17.5 | 27.5 | 0.037 |
| KLA10-000CE | 10 | 8 | 14 | 17 | 5.5 | 20 | 30 | 0.055 |
| KLA12-000CE | 12 | 10 | 17 | 19 | 6 | 21 | 31 | 0.080 |
| KLA16-000CE | 16 | 13 | 24 | 27 | 8 | 28 | 40.6 | 0.194 |
| KLA20-000CE | 20 | 17 | 27 | 30 | 8 | 30.5 | 44.8 | 0.234 |
| KLA25-000CE | 25 | 22 | 36 | 36 | 9 | 35.5 | 50.3 | 0.438 |
| KLA30-000CE | 30 | 26 | 41 | 41 | 9 | 39.5 | 54.8 | 0.605 |

ティー
UNION TEE



Unit : mm

| 継手の呼び Part No. | Tube OD A | E | 二面幅 Flats h | 六角対辺 Hex. H | I | ℓ | Approx. L (約) | 重量 (kg) |
|-------------------|--------------|-----|-------------------|-------------------|-----|------|------------------|------------|
| KTA06-000CE | 6 | 4.5 | 12 | 12 | 5.5 | 17 | 26.3 | 0.044 |
| KTA08-000CE | 8 | 6 | 12 | 14 | 5.5 | 17.5 | 27.5 | 0.053 |
| KTA10-000CE | 10 | 8 | 14 | 17 | 5.5 | 20 | 30 | 0.076 |
| KTA12-000CE | 12 | 10 | 17 | 19 | 6 | 21 | 31 | 0.095 |
| KTA16-000CE | 16 | 13 | 24 | 27 | 8 | 28 | 40.6 | 0.268 |
| KTA20-000CE | 20 | 17 | 27 | 30 | 8 | 30.5 | 44.8 | 0.332 |
| KTA25-000CE | 25 | 22 | 36 | 36 | 9 | 35.5 | 50.3 | 0.572 |
| KTA30-000CE | 30 | 26 | 41 | 41 | 9 | 39.5 | 54.8 | 0.772 |