



MA Series Illuminated Pushbuttons / Pilot Lights

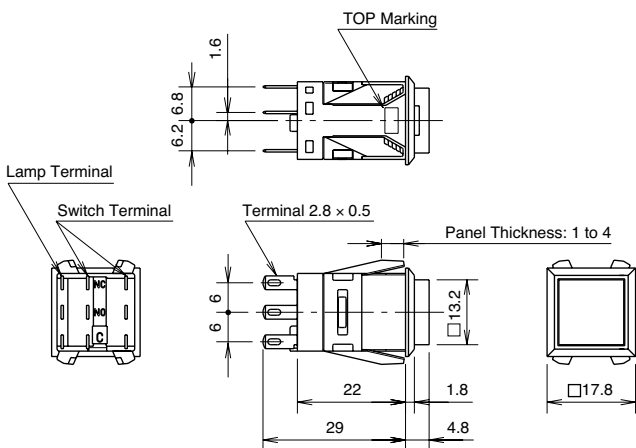
MA2 Illuminated Pushbuttons / Pilot Lights

Package Quantity: 1

Shape	Operation	Contact Material	Operating Voltage	Contact	Part No.	Illumination Color Code	
MA2 (Square) One-color Full 	Momentary	Gold	24V AC/DC ±5%	SPDT	MA2L-M1141 *	Specify an illumination color code in place of * in the Part No. A: amber G: green PW: pure white R: red S: blue W: white Y: yellow	
				DPDT	MA2L-M2141 *		
			12V AC/DC ±5%	SPDT	MA2L-M1131 *		
				DPDT	MA2L-M2131 *		
			5V DC ±5%	SPDT	MA2L-M1111 *		
				DPDT	MA2L-M2111 *		
		Silver	24V AC/DC ±5%	SPDT	MA2L-M5141 *		
				DPDT	MA2L-M6141 *		
			12V AC/DC ±5%	SPDT	MA2L-M5131 *		
				DPDT	MA2L-M6131 *		
			5V DC ±5%	SPDT	MA2L-M5111 *		
				DPDT	MA2L-M6111 *		
	Maintained	Gold	24V AC/DC ±5%	SPDT	MA2L-A1141 *		
				DPDT	MA2L-A2141 *		
			12V AC/DC ±5%	SPDT	MA2L-A1131 *		
				DPDT	MA2L-A2131 *		
			5V DC ±5%	SPDT	MA2L-A1111 *		
				DPDT	MA2L-A2111 *		
	Silver	24V AC/DC ±5%	SPDT	MA2L-A5141 *			
			DPDT	MA2L-A6141 *			
12V AC/DC ±5%		SPDT	MA2L-A5131 *				
		DPDT	MA2L-A6131 *				
5V DC ±5%		SPDT	MA2L-A5111 *				
		DPDT	MA2L-A6111 *				
Pilot Light	-	-	-	MA2P-141 *			
			-	MA2P-131 *			
			-	MA2P-111 *			
MA2 (Square) Two-color Alternate 	Momentary	Gold	24V AC/DC ±5%	SPDT	MA2L-M1144RG	Red (R) ↔ Green (G) alternate illumination	
				DPDT	MA2L-M2144RG		
		Silver	24V AC/DC ±5%	SPDT	MA2L-M5144RG		
				DPDT	MA2L-M6144RG		
	Maintained	Gold	24V AC/DC ±5%	SPDT	MA2L-A1144RG		
				DPDT	MA2L-A2144RG		
		Silver	24V AC/DC ±5%	SPDT	MA2L-A5144RG		
				DPDT	MA2L-A6144RG		
	Pilot Light	-	-	24V AC/DC ±5%	-		MA2P-144RG



Dimensions

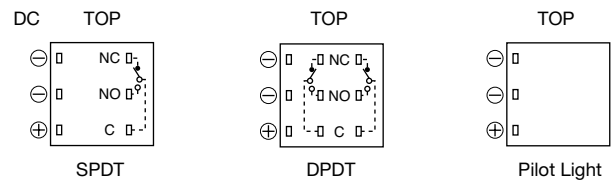


All dimensions in mm.

Terminal Arrangement (Bottom View)

For internal circuit, see page 16.

Full Illumination



Two-color Alternate Illumination

