

# UPA

## SERIES

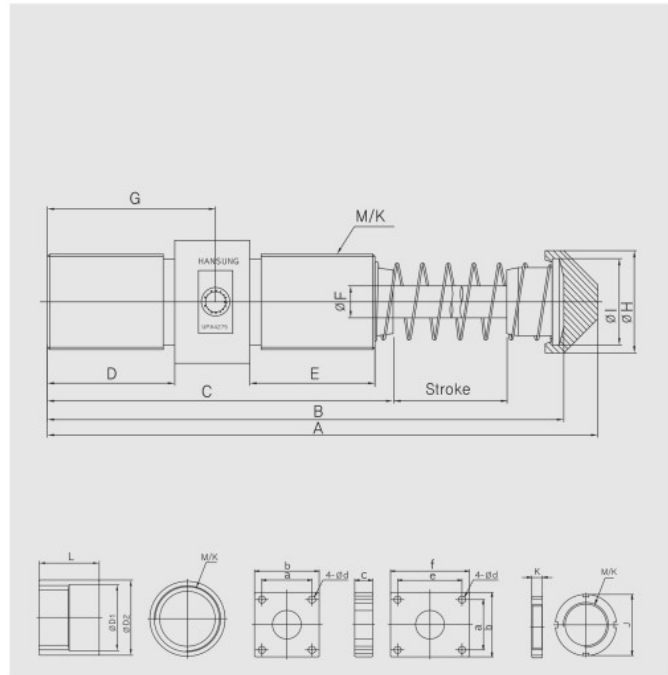
Large size

- UPA4225
- UPA4250
- UPA4275

www.hsaz1.com

### UPA SERIES

Large size



HANSUNG

22

INDUSTRIAL

### Dimensions

Model	Stroke 행정 行程	A	B	C	D	E	ØF	G	ØH	ØI	M/K
UPA4225	25	167	152	102	33	29	14	50	45	38	M42x1.5P
UPA4250	50	217	202	127	45	42	14	62	45	38	M42x1.5P
UPA4275	75	267	252	152	56	55	14	75	45	38	M42x1.5P

L/N,S/C,S/F,R/F	J	K	ØD1	ØD2	L	a	b	c	d	e	f	M/K
UPA42 Series	54	10	44	58	48	41.5	60	12	9	60.5	80	M42x1.5P

### Capacity Chart

Model	S Stroke 행정 行程	E <sup>c</sup> Total Energy 총에너지 最大吸收能量 [Max] (Nm)	E <sup>d</sup> Total Energy per hour 시간당 총에너지 每小时最大吸收能量 [Max] (Nm/h)	W <sup>e</sup> Effective Weight 중량효과치 有效重量 [Min] [Max] (Kg)	F Shock Force 충격력 冲击力 [Max] (N)	F Return Force 복귀력 回复力 [Min] [Max] (N)	Weight 중량 重量 (g)
UPA4225	25	250	130,000	25~7,000	12,000	50~85	1,000
UPA4250	50	500	157,500	45~10,000	12,000	35~75	1,300
UPA4275	75	750	195,000	55~10,500	12,000	35~100	1,600