

UPA

SERIES

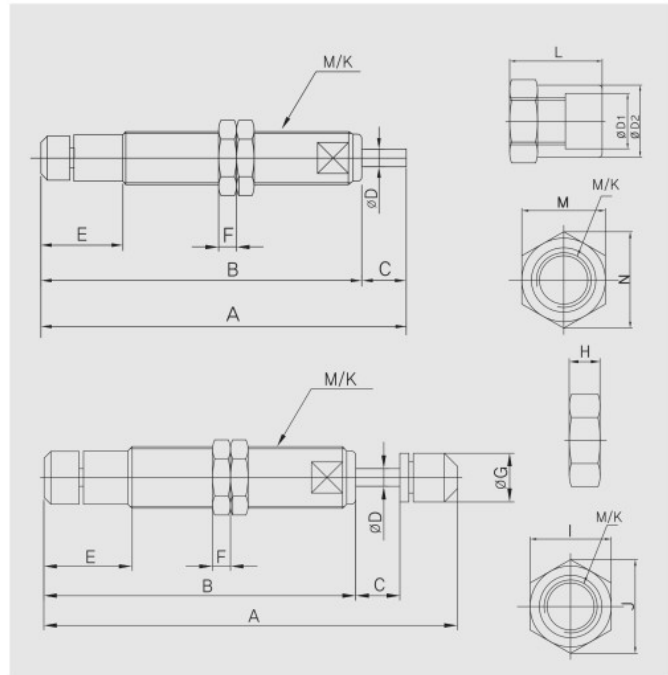
Small size

- PA1210
- UPA1210
- PA1410
- UPA1410

www.hsa21.com

UPA SERIES

Small size



HANSUNG

18

INDUSTRIAL

Dimensions

Model	Stroke 행정 行程	A	B	C	ØD	E	F	ØG	H	I	J	M	N	ØD1	ØD2	L	M/K
PA1210	10	74	64	10	4	16.5	4	-	4	14	16.1	14	16	12.5	14	20	M12x1,0P
UPA1210	10	87	64	10	4	16.5	4	10.7	4	14	16.1	14	16	12.5	14	20	M12x1,0P
PA1410	10	78	68	10	4	18	4	-	4	19	21.9	19	21.6	15	18	26	M14x1,5P
UPA1410	10	91	68	10	4	18	4	12	4	19	21.9	19	21.6	15	18	26	M14x1,5P

Capacity Chart

Model	S Stroke 행정 行程	E ^c Total Energy 총에너지 最大吸收能量 [Max] (Nm)	E ^d Total Energy per hour 시간당 총에너지 每小时最大吸收能量 [Max] (Nm/h)	W ^e Effective Weight 중량효과치 有效重量 [Min] [Max] (Kg)	F Shock Force 충격력 冲击力 [Max] (N)	F Return Force 복귀력 回复力 [Min] [Max] (N)	Weight 중량 重量 (g)
PA1210	10	13	19,000	0.3~70	600	4~10	45
UPA1210	10	13	19,000	0.3~70	600	4~10	50
PA1410	10	15	24,500	0.3~90	680	5~11	55
UPA1410	10	15	24,500	0.3~90	680	5~11	65