

2.5mm Pitch Wire to Board LW 0640-N Lock Wafer

Features And Specifications

Electrical

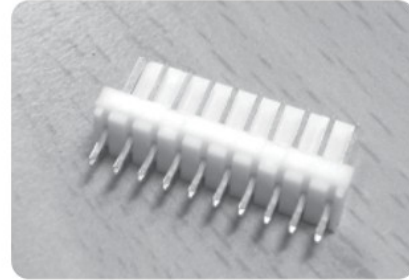
- Voltage Rating : 250VAC max
- Current Rating : 3A max
- Contact Resistance : 30m Ω max
- Insulation Resistance : 1,000M Ω min
- Dielectric Withstanding Voltage : 1,000VAC for 60 seconds

Physical

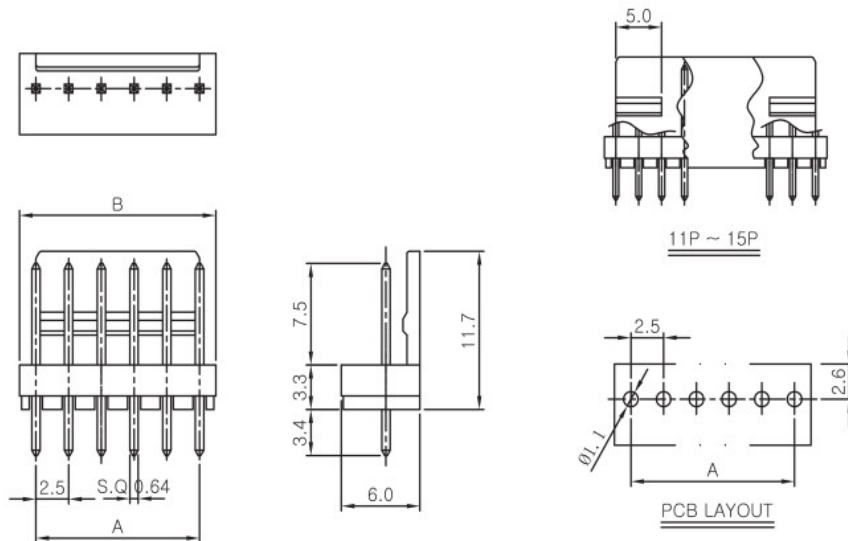
- Housing : Nylon66, UL94V Grade
- Pin : 0.64mm Tin Plated Square Brass Pin
- Operating Temperature : -40 $^{\circ}$ C ~ +105 $^{\circ}$ C

Reference Information

- Mates With : CHW0640-N Series
- Packing : Bag
- Designed In : Millimeters



Dimensions (For Reference Only)



Ordering Information And Dimensions

CKT	MODEL NO.	A	B	CKT	MODEL NO.	A	B
2	LW0640-02	2.5	5.0	9	LW0640-09	20.0	22.5
3	LW0640-03	5.0	7.5	10	LW0640-10	22.5	25.0
4	LW0640-04	7.5	10.0	11	LW0640-11	25.0	27.5
5	LW0640-05	10.0	12.5	12	LW0640-12	27.5	30.0
6	LW0640-06	12.5	15.0	13	LW0640-13	30.0	32.5
7	LW0640-07	15.5	17.5	14	LW0640-14	32.5	35.0
8	LW0640-08	17.5	20.0	15	LW0640-15	35.0	37.5