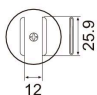

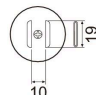
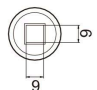
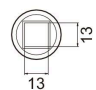
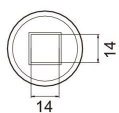
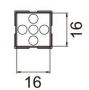
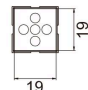
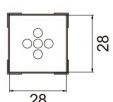
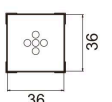
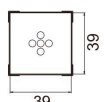
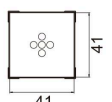




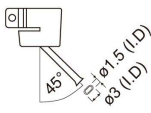

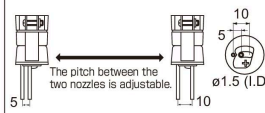
SOJ

A1214B SOJ 10 × 26 	A1183* SOJ 15 × 8 	A1184B SOJ 18 × 8 
--	---	---

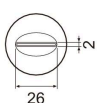
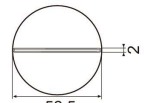
BGA

A1470 BGA 8 × 8 	A1471 BGA 12 × 12 	A1472 BGA 13 × 13 	A1473 BGA 15 × 15 	A1474 BGA 18 × 18 
A1475 BGA 27 × 27 	A1476 BGA 35 × 35 	A1477 BGA 38 × 38 	A1478 BGA 40 × 40 	

Single

A1124B* Single 2.5 	A1130* Single 4.4 	A1142B* Bent single 1.5 × 3 	A1190* Dual single 2.5 × 9.5 	A1325* Dual single ø1.5 × 5 to 10 Adjustable pitch 
--	---	--	--	---

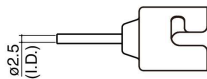
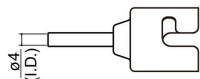
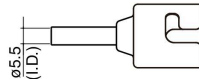
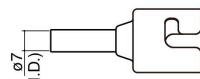
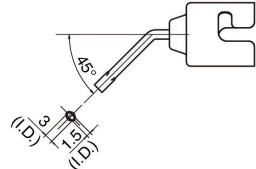
SIP

A1191* SIP 25L 	A1192* SIP 50L 
--	--

* The vacuum function does not operate with these nozzles.
The vacuum function is not available on the FR-810.

Optional Nozzles for the FR-810

Unit: mm

N51-01 Single 2.5 	N51-02 Single 4 	N51-03 Single 5.5 	N51-04 Single 7 	N51-05 Bent single 
---	---	---	--	--

Single nozzle set (N51-01, N51-03, N51-04, and N51-05) is also available.

*N51-02 included with station

No. N51-50



When using the FR-810 with a nozzle for the FR-803B, attach a conversion adapter No.B5058 (option).

