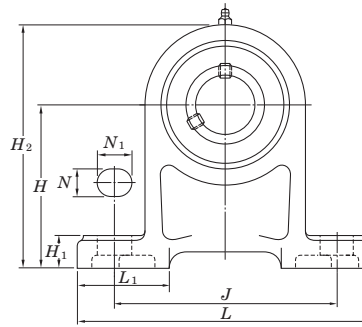
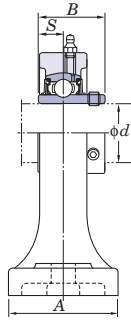


UCPH

Cylindrical bore (with set screws)

d 12 ~ 50 mm



Shaft Dia.		Dimensions											Bolt Size	Unit No.	Housing No.	Bearing No.	
mm	inch	inch															
d		H	L	A	J	N	N_1	H_1	H_2	L_1	B	S	inch				
		mm											mm				
12	1/2												M10	UCPH201	PH204	UC201	
15	5/8	2 3/4	5	1 9/16	3 3/4	1/2	3/4	19/32	3 31/32	1 13/16	1.220	0.500		UCPH201-8			UC201-8
17	3/4	70	127	40	95	13	19	15	101	46	31	12.7		UCPH202			UC202
														UCPH202-10			UC202-10
20														UCPH203			UC203
													UCPH204-12	UC204-12			
													UCPH204	UC204			
25	7/8												M10	UCPH205-14	PH205	UC205-14	
	15/16	3 5/32	5 1/2	1 31/32	4 1/8	1/2	3/4	5/8	4 1/2	1 15/16	1.343	0.563		UCPH205-15		UC205-15	
	1	80	140	50	105	13	19	16	114	49	34.1	14.3		UCPH205		UC205	
													UCPH205-16	UC205-16			
30	1 1/8												M14	UCPH206-18	PH206	UC206-18	
	1 3/16	3 35/64	6 1/2	1 31/32	4 3/4	21/32	13/16	23/32	5 1/8	2 7/32	1.500	0.626		UCPH206		UC206	
	1 1/4	90	165	50	121	17	21	18	130	56	38.1	15.9		UCPH206-19		UC206-19	
														UCPH206-20		UC206-20	
35	1 1/4												M14	UCPH207-20	PH207	UC207-20	
	1 5/16	3 47/64	6 9/16	2 3/8	5	21/32	13/16	23/32	5 1/2	2 1/8	1.689	0.689		UCPH207-21		UC207-21	
	1 3/8	95	167	60	127	17	21	18	140	54	42.9	17.5		UCPH207-22		UC207-22	
														UCPH207		UC207	
	1 7/16													UCPH207-23		UC207-23	
40	1 1/2												M14	UCPH208-24	PH208	UC208-24	
	1 9/16	3 15/16	7 1/4	2 3/4	5 13/32	21/32	13/16	25/32	5 29/32	2 1/4	1.937	0.748		UCPH208-25		UC208-25	
		100	184	70	137	17	21	20	150	57	49.2	19		UCPH208		UC208	
45	1 5/8												M14	UCPH209-26	PH209	UC209-26	
	1 11/16	4 9/64	7 15/32	2 3/4	5 3/4	21/32	13/16	25/32	6 7/32	2 9/32	1.937	0.748		UCPH209-27		UC209-27	
	1 3/4	105	190	70	146	17	21	20	158	58	49.2	19		UCPH209-28		UC209-28	
													UCPH209	UC209			
50	1 7/8												M16	UCPH210-30	PH210	UC210-30	
	1 15/16	4 21/64	8 1/8	2 3/4	6 1/4	25/32	7/8	7/8	6 1/2	2 9/16	2.031	0.748		UCPH210-31		UC210-31	
	2	110	206	70	159	20	22	22	165	65	51.6	19		UCPH210		UC210	
													UCPH210-32	UC210-32			

- Remarks
1. In Part No. of unit, fitting codes follow bore diameter codes. (See Table 10.5 in P.62.)
 2. Part No. of the applicable grease fitting is A-1/4-28UNF.
 3. As for the triple seal type product (from 201 to 205 are the double seal type products), suffix code L3 (or L2) follows Part No. of unit or bearing. (Example of Part No. : UCPH206JL3, UC206L3)