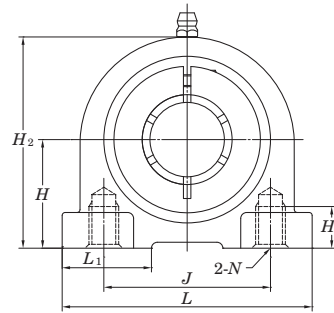
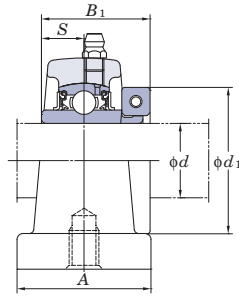


NCPA
Cylindrical bore
(with concentric locking collar)
d 20 ~ 50 mm



Shaft Dia.		Dimensions											Unit No.	Housing No.	Bearing No.
mm	inch	inch mm													
<i>d</i>		<i>H</i>	<i>L</i>	<i>A</i>	<i>J</i>	<i>N</i>	<i>H</i> ₂	<i>H</i> ₃	<i>L</i> ₁	<i>B</i> ₁	<i>S</i>	<i>d</i> ₁			
20	3/4	1 3/16	3	1 9/16	2 3/64		2 3/8	1/2	1 1/16	1 9/32	0.500	1 3/4	NCPA204-12 NCPA204	PA204	NC204-12 NC204
		30.2	76	40	52	M10×1.5	60	13	27	32.5	12.7	44.5			
25	7/8	1 7/16	3 5/16	1 25/32	2 13/64		2 25/32	1/2	1 3/16	1 7/16	0.563	1 15/16	NCPA205-14 NCPA205-15 NCPA205 NCPA205-16	PA205	NC205-14 NC205-15 NC205 NC205-16
	15/16	36.5	84	45	56	M10×1.5	71	13	30	36.5	14.3	49.2			
	1														
30	1 1/8	1 11/16	3 11/16	1 31/32	2 19/32		3 5/16	23/32	1 13/32	1 9/16	0.626	2 3/16	NCPA206-18 NCPA206 NCPA206-19 NCPA206-20	PA206	NC206-18 NC206 NC206-19 NC206-20
	1 3/16	42.9	94	50	66	M14×2	84	18	36	39.7	15.9	55.6			
	1 1/4														
35	1 1/4	1 7/8	4 11/32	2 5/32	3 5/32		3 21/32	25/32	1 5/8	1 3/4	0.689	2 7/16	NCPA207-20 NCPA207-22 NCPA207 NCPA207-23	PA207	NC207-22 NC207 NC207-23
	1 3/8	47.6	110	55	80	M14×2	93	20	41	44.5	17.5	61.9			
	1 7/16														
40	1 1/2	1 15/16	4 9/16	2 9/32	3 5/16		3 27/32	25/32	1 5/8	2	0.748	2 11/16	NCPA208-24 NCPA208	PA208	NC208-24 NC208
		49.2	116	58	84	M14×2	98	20	41	50.8	19	68.3			
45	1 5/8	2 9/64	4 23/32	2 3/8	3 35/64		4 3/16	31/32	1 21/32	2	0.748	2 13/16	NCPA209-26 NCPA209-27 NCPA209-28 NCPA209	PA209	NC209-26 NC209-27 NC209-28 NC209
	1 11/16	54.2	120	60	90	M14×2	106	25	42	50.8	19	71.4			
	1 3/4														
50	1 15/16	2 1/4	5 1/8	2 17/32	3 45/64		4 7/16	31/32	1 27/32	2 3/32	0.748	3 3/8	NCPA210-31 NCPA210 NCPA210-32	PA210	NC210-31 NC210 NC210-32
	2	57.2	130	64	94	M16×2	113	25	47	53.1	19	85.7			

- Remarks 1. In Part No. of unit, fitting codes follow bore diameter codes. (See Table 10.5 in P.62.)
 2. Part No. of the applicable grease fitting is A-1/4-28UNF.
 3. As for the dimensions and forms of applicable bearings, see the dimensional tables of ball bearing for unit.