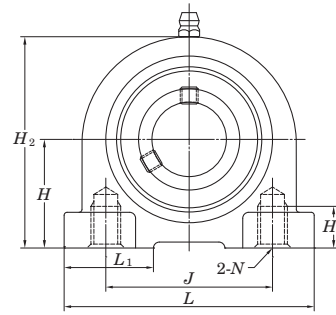
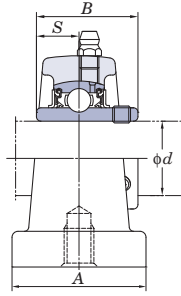


## Tapped-Base Pillow Block Units

### UCPA

#### Cylindrical bore (with set screws)

$d$  12 ~ 50 mm



Shaft Dia.		Dimensions										Unit No.	Housing No.	Bearing No.
mm	inch	inch mm												
$d$		$H$	$L$	$A$	$J$	$N$	$H_2$	$H_3$	$L_1$	$B$	$S$			
12	$1/2$											UCPA201	PA204	UC201
15	$5/8$	$1\ 3/16$	3	$1\ 9/16$	$2\ 3/64$		$2\ 3/8$	$1/2$	$1\ 1/16$	1.220	0.500	UCPA201-8		UC201-8
17	$3/4$	30.2	76	40	52	M10×1.5	60	13	27	31	12.7	UCPA202		UC202
												UCPA202-10		UC202-10
20												UCPA203		UC203
												UCPA204-12	UC204-12	
												UCPA204	UC204	
25	$7/8$											UCPA205-14	PA205	UC205-14
	$15/16$	$1\ 7/16$	$3\ 5/16$	$1\ 25/32$	$2\ 13/64$		$2\ 25/32$	$1/2$	$1\ 3/16$	1.343	0.563	UCPA205-15		UC205-15
		36.5	84	45	56	M10×1.5	71	13	30	34.1	14.3	UCPA205		UC205
												UCPA205-16	UC205-16	
30	$1\ 1/8$											UCPA206-18	PA206	UC206-18
	$1\ 3/16$	$1\ 11/16$	$3\ 11/16$	$1\ 31/32$	$2\ 19/32$		$3\ 5/16$	$23/32$	$1\ 13/32$	1.500	0.626	UCPA206		UC206
	$1\ 1/4$	42.9	94	50	66	M14×2	84	18	36	38.1	15.9	UCPA206-19		UC206-19
												UCPA206-20	UC206-20	
35	$1\ 1/4$											UCPA207-20	PA207	UC207-20
	$1\ 5/16$	$1\ 7/8$	$4\ 11/32$	$2\ 5/32$	$3\ 5/32$		$3\ 21/32$	$25/32$	$1\ 5/8$	1.689	0.689	UCPA207-21		UC207-21
	$1\ 3/8$	47.6	110	55	80	M14×2	93	20	41	42.9	17.5	UCPA207-22		UC207-22
	$1\ 7/16$											UCPA207		UC207
												UCPA207-23	UC207-23	
40	$1\ 1/2$											UCPA208-24	PA208	UC208-24
	$1\ 9/16$	$1\ 15/16$	$4\ 9/16$	$2\ 9/32$	$3\ 5/16$		$3\ 27/32$	$25/32$	$1\ 5/8$	1.937	0.748	UCPA208-25		UC208-25
		49.2	116	58	84	M14×2	98	20	41	49.2	19	UCPA208		UC208
45	$1\ 5/8$											UCPA209-26	PA209	UC209-26
	$1\ 11/16$	$2\ 9/64$	$4\ 23/32$	$2\ 3/8$	$3\ 35/64$		$4\ 3/16$	$31/32$	$1\ 21/32$	1.937	0.748	UCPA209-27		UC209-27
	$1\ 3/4$	54.2	120	60	90	M14×2	106	25	42	49.2	19	UCPA209-28		UC209-28
												UCPA209	UC209	
50	$1\ 7/8$											UCPA210-30	PA210	UC210-30
	$1\ 15/16$	$2\ 1/4$	$5\ 1/8$	$2\ 17/32$	$3\ 45/64$		$4\ 7/16$	$31/32$	$1\ 27/32$	2.031	0.748	UCPA210-31		UC210-31
		57.2	130	64	94	M16×2	113	25	47	51.6	19	UCPA210		UC210
												UCPA210-32	UC210-32	

- Remarks
1. In Part No. of unit, fitting codes follow bore diameter codes. (See Table 10.5 in P.62.)
  2. Part No. of the applicable grease fitting is A-1/4-28UNF.
  3. As for the triple seal type product (from 201 to 205 are the double seal type products), suffix code L3 (or L2) follows Part No. of unit or bearing. (Example of Part No. : UCPA206JL3, UC206L3)