

FINE U-NUT TOOL SET 00-10

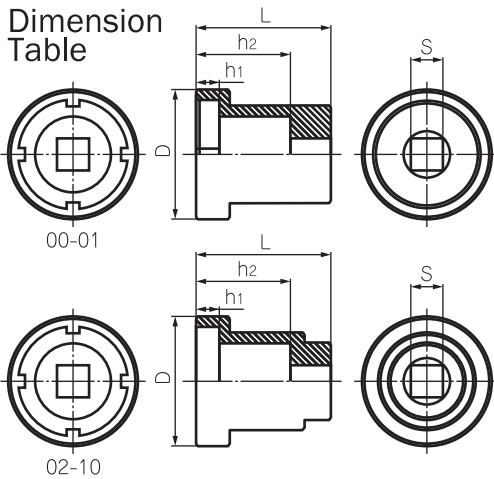
FINE U-NUT / M10 - M50 Tightening Tool Set Made Especially for **FINE U-NUT**

Set Contents

Sockets (for sizes M10 to M20)	5(9.52mm socket size)
Sockets (for sizes M25 to M50)	6(12.7mm socket size)
Ratchet handle (3/8")	1(9.52 x 225mm)
Ratchet handle (1/2")	1(12.7 x 390mm)
Extension bar (3/8")	1(9.52 x 75mm)
Extension bar (1/2")	1(12.7 x 150mm)
Steel case	1(400 x 150 x 70 mm)



Dimension Table



Ratchet Handle			
Part No.	Total Length	Socket Size	Maximum Torque
FUTR-3/8	225mm	9.52(3/8")	176N·m
FUTR-1/2	390mm	12.70(1/2")	490N·m

Extension Bar			
Part No.	Total Length	Socket Size	Maximum Torque
FUTE-3/8	75mm	9.52(3/8")	137N·m
FUTE-1/2	150mm	12.70(1/2")	382N·m

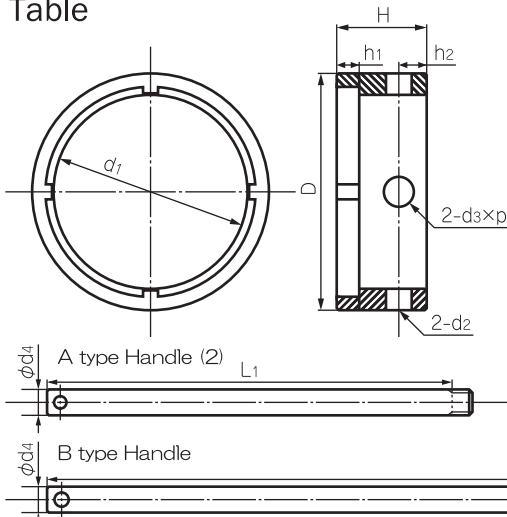
Socket Part No.	FINE U-NUT Applicable Size	D	L	h ₁	h ₂	S
FUT#00	M10×P0.75	23.0	36.0	4.4	24.0	
FUT#01	M12×P1.0	27.0	37.0	4.6	25.0	
FUT#02	M15×P1.0	31.0	38.0	5.7	26.0	9.52
FUT#03	M17×P1.0	34.0	39.0	5.6	27.0	
FUT#04	M20×P1.0	38.5	40.0	6.9	28.0	
FUT#05	M25×P1.5	45.5	46.5	8.1	30.5	
FUT#06	M30×P1.5	53.0	50.0		34.0	
FUT#07	M35×P1.5	60.5	53.5	9.2	37.5	12.70
FUT#08	M40×P1.5	67.0	57.0	10.2	41.0	
FUT#09	M45×P1.5	74.5	60.5	11.2	44.5	
FUT#10	M50×P1.5	80.0	64.0	12.2	48.0	

Unit: mm

FINE U-NUT Clamping Socket Handle (11-20)

Clamping tool available for each size of **FINE U-NUT** M55 - M100

Dimension Table



Socket Part No.	FINE U-NUT Applicable Size	Socket							A type Handle (Part No.)	B type Handle (Part No.)
		D	d ₁	H	h ₁	h ₂	d ₂	d ₃ ×p	φd ₄ ×L ₁	φd ₄ ×L ₂
FUT#11	M55×2	85.5	69.0	36	8.5	11	12	M12×1.75	φ12×200 (FUTA-12)	φ12×500 (FUTB-12)
FUT#12	M60×2	91.0	74.0							
FUT#13	M65×2	96.5	79.0	38	9.5					
FUT#14	M70×2	104.0	85.0	41						
FUT#15	M75×2	110.5	90.5	42	10.5	13	14	M14×2.0	φ14×250 (FUTA-14)	φ14×650 (FUTB-14)
FUT#16	M80×2	118.0	97.5	44	12.5					
FUT#17	M85×2	123.5	102.5	46	13.0					
FUT#18	M90×2	134.0	111.0	50						
FUT#19	M95×2	139.5	116.0	51	14.0	15	16	M16×2.0	φ16×300 (FUTA-16)	φ16×750 (FUTB-16)
FUT#20	M100×2	145.0	121.0	52	15.0					

Specify Part No. when placing an order.

Unit: mm