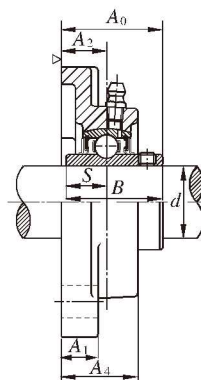
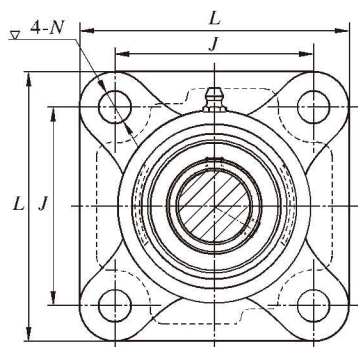


角フランジ形ユニット

UCF 200



SR タイプシール



TRL タイプシール

軸径 (mm) (inch) <i>d</i>	寸法 (mm)										取付けボルト の呼び (mm) (inch)		ユニット 呼び番号	適用 軸受箱	軸受 呼び番号	質量 (kg)
	<i>L</i>	<i>J</i>	<i>A</i> ₂	<i>A</i> ₁	<i>A</i> ₄	<i>N</i>	<i>A</i> ₀	<i>B</i>	<i>S</i>							
12 1/2	86	64	15	12	25.5	12	33.3	31.0	12.7	M10	3/8	UCF201 UCF201-8	F201	UC201 UC201-8	0.63	
15 5/8	86	64	15	12	25.5	12	33.3	31.0	12.7	M10	3/8	UCF202 UCF202-10	F202	UC202 UC202-10	0.63	
17 11/16	86	64	15	12	25.5	12	33.3	31.0	12.7	M10	3/8	UCF203 UCF203-11	F203	UC203 UC203-11	0.63	
20 3/4	86	64	15	12	25.5	12	33.3	31.0	12.7	M10	3/8	UCF204-12 UCF204	F204	UC204-12 UC204	0.63	
25 7/8 15/16 1	95	70	16	14	27.0	12	35.7	34.0	14.3	M10	3/8	UCF205-14 UCF205-15 UCF205 UCF205-16	F205	UC205-14 UC205-15 UC205 UC205-16	0.82	
30 1 1/8 1 3/16 1 1/4	108	83	18	14	31.0	12	40.2	38.1	15.9	M10	3/8	UCF206-18 UCF206 UCF206-19 UCF206-20	F206	UC206-18 UC206 UC206-19 UC206-20	1.10	
35 1 1/4 1 5/16 1 3/8 1 7/16	117	92	19	16	34.0	14	44.4	42.9	17.5	M12	7/16	UCF207-20 UCF207-21 UCF207-22 UCF207 UCF207-23	F207	UC207-20 UC207-21 UC207-22 UC207 UC207-23	1.50	
40 1 1/2 1 9/16	130	102	21	16	36.0	16	51.2	49.2	19.0	M14	1/2	UCF208-24 UCF208-25 UCF208	F208	UC208-24 UC208-25 UC208	1.90	
45 1 5/8 1 11/16 1 3/4	137	105	22	18	38.0	16	52.2	49.2	19.0	M14	1/2	UCF209-26 UCF209-27 UCF209-28 UCF209	F209	UC209-26 UC209-27 UC209-28 UC209	2.30	
50 1 7/8 1 15/16 2	143	111	22	18	40.0	16	54.6	51.6	19.0	M14	1/2	UCF210-30 UCF210-31 UCF210 UCF210-32	F210	UC210-30 UC210-31 UC210 UC210-32	2.50	
55 2 2 1/8 2 3/16	162	130	25	20	43.0	19	58.4	55.6	22.2	M16	5/8	UCF211-32 UCF211-34 UCF211 UCF211-35	F211	UC211-32 UC211-34 UC211 UC211-35	3.40	
60 2 1/4 2 3/8 2 7/16	175	143	29	20	48.0	19	68.7	65.1	25.4	M16	5/8	UCF212-36 UCF212 UCF212-38 UCF212-39	F212	UC212-36 UC212 UC212-38 UC212-39	4.40	
65 2 1/2	187	149	30	20	50.0	19	69.7	65.1	25.4	M16	5/8	UCF213-40 UCF213	F213	UC213-40 UC213	5.30	
70 2 3/4	193	152	31	24	54.0	19	75.4	74.6	30.2	M16	5/8	UCF214-44 UCF214	F214	UC214-44 UC214	6.00	
75 2 15/16 3	200	159	34	24	56.0	19	78.5	77.8	33.3	M16	5/8	UCF215 UCF215-47 UCF215-48	F215	UC215 UC215-47 UC215-48	6.60	
80 3 1/8	208	165	34	24	58.0	23	83.3	82.6	33.3	M20	3/4	UCF216 UCF216-50	F216	UC216 UC216-50	7.50	
85 3 1/4	220	175	36	26	63.0	23	87.6	85.7	34.1	M20	3/4	UCF217-52 UCF217	F217	UC217-52 UC217	9.10	
90 3 1/2	235	187	40	26	68.0	23	96.3	96.0	39.7	M20	3/4	UCF218-56 UCF218	F218	UC218-56 UC218	11.30	