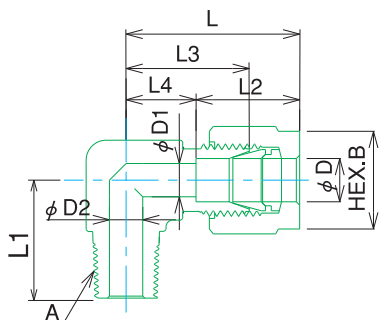


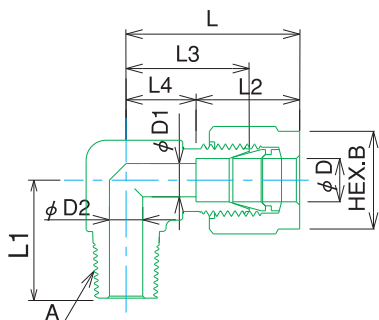
(単位：mm)

## エルボーフユニオン (Rネジ)



呼び径D	A	D1	D2	B	L	L1	L2	L3	L4	品番
3.2	R1/8	2.7	5	10	23.5	20	13	17	10.5	F900-L-3.2A
3.2	R1/4	2.7	5	10	23.5	22	13	17	10.5	F900-L-3.2B
6.35	R1/8	5	5	14	25.5	20	15	18.5	10.5	F900-L-6.35A
6.35	R1/4	5	5	14	25.5	22	15	18.5	10.5	F900-L-6.35B
6.35	R3/8	5	5	14	29	25	15	22	14	F900-L-6.35C
6.35	R1/2	5	5	14	32	32	15	25	17	F900-L-6.35D
9.52	R1/8	7.5	5	17	30	24	17.5	22	12.5	F900-L-9.52A
9.52	R1/4	7.5	7.5	17	30	24	17.5	22	12.5	F900-L-9.52B
9.52	R3/8	7.5	7.5	17	30	25	17.5	22	12.5	F900-L-9.52C
9.52	R1/2	7.5	7.5	17	33	32	17.5	25	15.5	F900-L-9.52D
12.7	R1/8	10	5	22	36	29	24	25	12	F900-L-12.7A
12.7	R1/4	10	7.5	22	36	29	24	25	12	F900-L-12.7B
12.7	R3/8	10	10	22	36	29	24	25	12	F900-L-12.7C
12.7	R1/2	10	10	22	36	32	24	25	12	F900-L-12.7D
19.05	R3/8	16	10	29	41	32	30	25.2	15.8	F900-L-19.05C
19.05	R1/2	16	12.7	29	41	35	30	25.2	15.8	F900-L-19.05D
19.05	R3/4	16	16	29	41	37	30	25.2	15.8	F900-L-19.05E
25.4	R3/4	22.4	15.7	38	49	41.7	31.2	36.8	17.8	F900-L-25.4E
25.4	R1	22.4	22.4	38	49	46.5	31.2	36.8	17.8	F900-L-25.4F

## エルボーフユニオン (NPTネジ)



呼び径D	A	D1	D2	B	L	L1	L2	L3	L4	品番
3.2	1/8NPT	2.7	5	10	23.5	20	13	17	10.5	F900-L-3.2AN
3.2	1/4NPT	2.7	5	10	23.5	22	13	17	10.5	F900-L-3.2BN
6.35	1/8NPT	5	5	14	25.5	20	15	18.5	10.5	F900-L-6.35AN
6.35	1/4NPT	5	5	14	25.5	22	15	18.5	10.5	F900-L-6.35BN
6.35	3/8NPT	5	5	14	29	25	15	22	14	F900-L-6.35CN
6.35	1/2NPT	5	5	14	32	32	15	25	17	F900-L-6.35DN
9.52	1/8NPT	7.5	5	17	30	24	17.5	22	12.5	F900-L-9.52AN
9.52	1/4NPT	7.5	7.5	17	30	24	17.5	22	12.5	F900-L-9.52BN
9.52	3/8NPT	7.5	7.5	17	30	25	17.5	22	12.5	F900-L-9.52CN
9.52	1/2NPT	7.5	7.5	17	33	32	17.5	25	15.5	F900-L-9.52DN
12.7	1/8NPT	10	5	22	36	29	24	25	12	F900-L-12.7AN
12.7	1/4NPT	10	7.5	22	36	29	24	25	12	F900-L-12.7BN
12.7	3/8NPT	10	10	22	36	29	24	25	12	F900-L-12.7CN
12.7	1/2NPT	10	10	22	36	32	24	25	12	F900-L-12.7DN
19.05	3/8NPT	16	10	29	41	32	25.2	30	15.8	F900-L-19.05CN
19.05	1/2NPT	16	12.7	29	41	35	25.2	30	15.8	F900-L-19.05DN
19.05	3/4NPT	16	16	29	41	37	25.2	30	15.8	F900-L-19.05EN