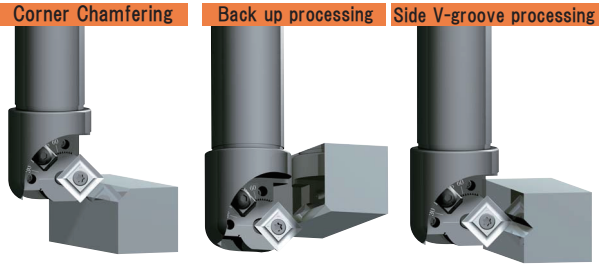
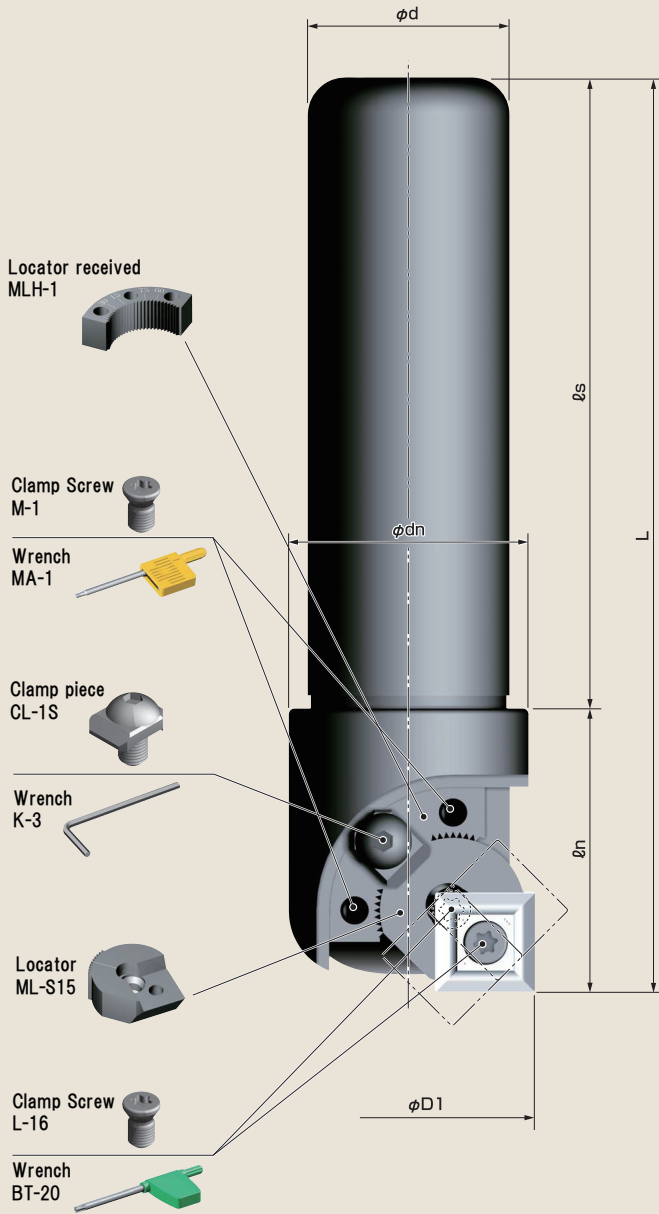
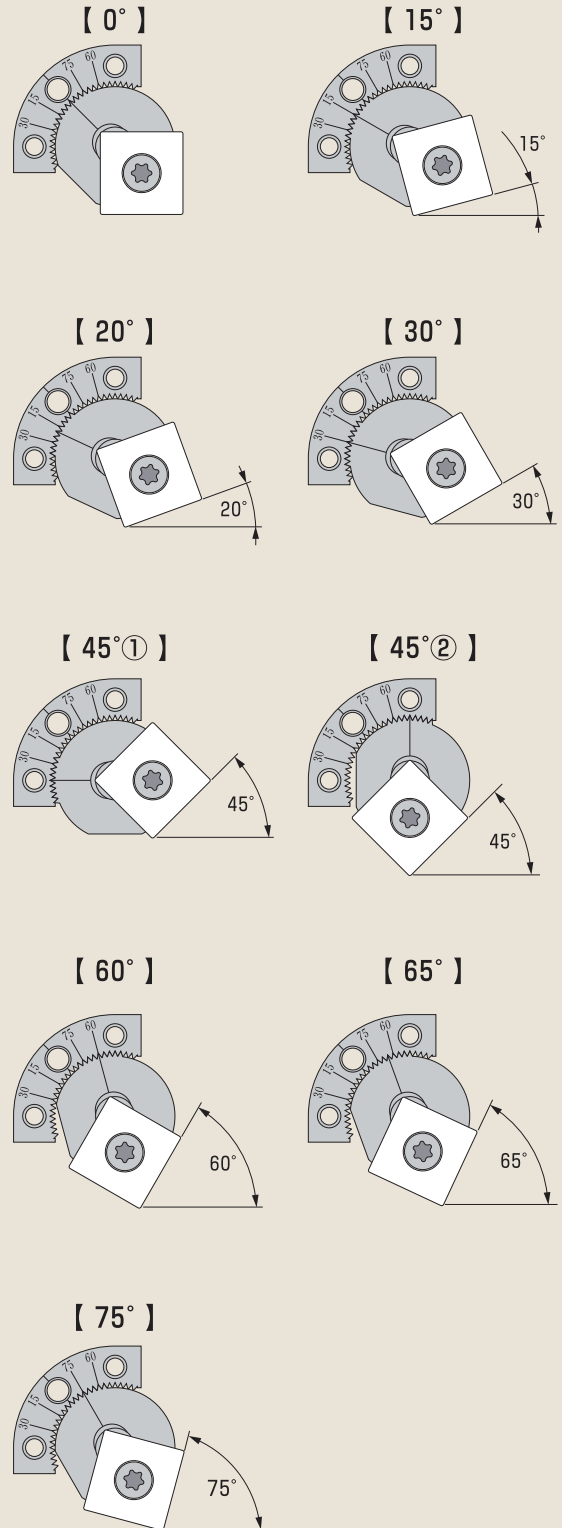


## Variable Angle Processing!

- By the serration mechanism and our original double clamp system, holding parts is superior to prevent insert movement. 0°~90° Angle adjustment can be easily and securely made



### Display for division of angle



| Model No.  | blades | Dimensions (mm) |          |           |     |          | Inserts |                          |
|------------|--------|-----------------|----------|-----------|-----|----------|---------|--------------------------|
|            |        | $\phi D1$       | $\phi d$ | $\phi dn$ | L   | $\ell s$ |         | $\ell n$                 |
| MAM32-50S  | 1      | ※1              | 32       | 38        | 145 | 100      | 45      | SDMT150404<br>SDET150404 |
| MAM32-50SL | 1      | ※1              | 32       | 38        | 200 | 155      | 45      | SDMT150404<br>SDET150404 |

※ Insert is not equipped as standard accessory. Please purchase it separately  
 ※ Clamp screw, wrench and locator are supplied as standard accessories  
 ※ Please refer to angle dimension table (P-28)