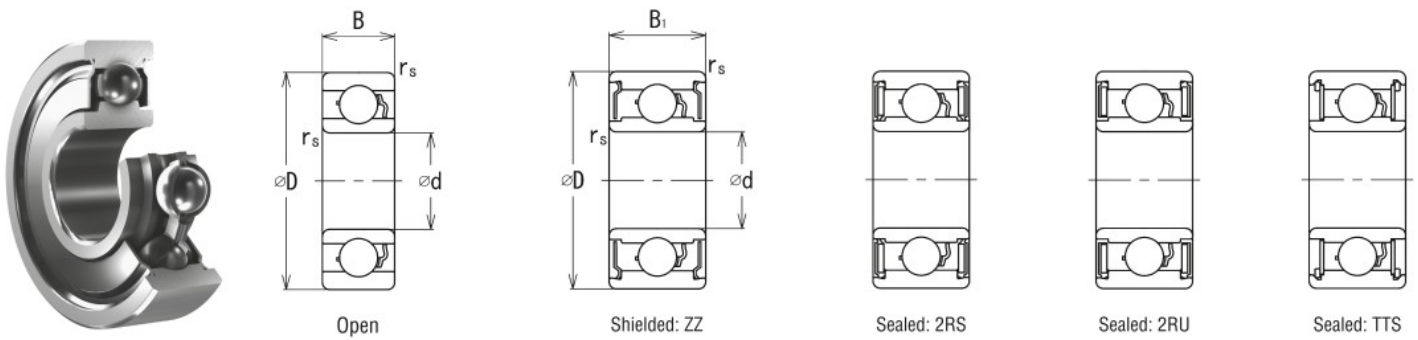


Extra-miniature/miniature/small bearings [SUJ2]



Dimension

Extra-miniature/miniature/small bearings [SUJ2]

Bore diameter d		Outer diameter D		Width				Chamfer r _s (min)		Bearing number					Load rating		Limiting speed ⁽³⁾	
				Open B		Shielded, Sealed B ₁				Open	2 Shields ⁽²⁾		2 Seals ⁽²⁾			Cr	Cor	Grease
mm	inch	mm	inch	mm	inch	mm	inch	mm	inch		2RS	2RU	TTS	N		min ⁻¹		
1.5	0.0591	4	0.1575	—	—	2	0.0787	0.05	0.002	—	681XZZ	—	—	—	112	33	105 000	124 000
		5	0.1969	2	0.0787	2.6	0.1024	0.15	0.0059	691X	691XZZ	—	—	—	238	69	94 000	111 000
2	0.0787	5	0.1969	1.5	0.0591	2.3	0.0906	0.08	0.0031	682	682ZZ	—	—	—	169	50	94 000	111 000
		5	0.1969	2	0.0787	2.5	0.0984	0.10	0.0039	MR52	MR52ZZ	—	—	—	169	50	94 000	111 000
		6	0.2362	2.3	0.0906	3	0.1181	0.15	0.0059	692	692ZZ	—	—	—	330	99	86 000	101 000
		6	0.2362	2.5	0.0984	—	—	0.15	0.0059	MR62	—	—	—	—	330	99	86 000	101 000
		7	0.2756	2.5	0.0984	—	—	0.15	0.0059	MR72	—	—	—	—	386	128	76 000	90 000
		7	0.2756	—	—	3.5	0.1378	0.15	0.0059	—	602ZZS	—	—	—	386	128	76 000	90 000
2.5	0.0984	6	0.2362	—	—	2.6	0.1024	0.08	0.0031	—	682XZZ	—	—	—	209	73	81 000	96 000
		7	0.2756	2.5	0.0984	3.5	0.1378	0.15	0.0059	692X	692XZZS	—	—	—	386	128	76 000	90 000
3	0.1181	8	0.3150	2.8	0.1102	4	0.1575	0.15	0.0059	602X	602XZZ	—	—	—	551	175	72 000	85 000
		6	0.2362	2	0.0787	2.5	0.0984	0.10	0.0039	MR63	MR63ZZ	—	—	—	209	73	81 000	96 000
		7	0.2756	2	0.0787	3	0.1181	0.10	0.0039	683	683ZZ	2RS	—	—	311	112	74 000	88 000
		8	0.3150	2.5	0.0984	—	—	0.15	0.0059	MR83	—	—	—	—	395	140	67 000	79 000
		8	0.3150	—	—	3	0.1181	0.10	0.0039	—	MR83ZZ	—	—	—	395	140	67 000	79 000
		8	0.3150	3	0.1181	4	0.1575	0.15	0.0059	693	693ZZ	2RS	—	—	559	179	70 000	82 000
		9	0.3543	2.5	0.0984	—	—	0.20	0.0079	MR93	—	—	—	—	572	188	66 000	78 000
		9	0.3543	—	—	4	0.1575	0.15	0.0059	—	MR93ZZ	—	—	—	572	188	66 000	78 000
		9	0.3543	3	0.1181	5	0.1969	0.15	0.0059	603	603ZZ	—	—	—	572	188	66 000	78 000
		10	0.3937	4	0.1575	4	0.1575	0.15	0.0059	623⁽¹⁾	623ZZ	2RS	2RU	—	633	218	66 000	78 000
		13	0.5118	5	0.1969	5	0.1969	0.20	0.0079	633⁽¹⁾	633ZZ	2RS	—	—	1 300	485	51 000	60 000
		7	0.2756	2	0.0787	—	—	0.10	0.0039	MR74	—	—	—	—	312	115	70 000	82 000
4	0.1575	7	0.2756	—	—	2.5	0.0984	0.10	0.0039	—	MR74ZZ	—	—	—	255	107	71 000	83 000
		8	0.3150	2	0.0787	—	—	0.15	0.0059	MR84	—	—	—	—	395	140	67 000	79 000
		8	0.3150	—	—	3	0.1181	0.10	0.0039	—	MR84ZZ	—	—	—	395	140	67 000	79 000
		9	0.3543	2.5	0.0984	4	0.1575	0.10	0.0039	684	684ZZ	2RS	—	—	641	226	63 000	75 000
		10	0.3937	3	0.1181	4	0.1575	0.20	0.0079	MR104	MR104ZZ	2RS	2RU	—	711	270	59 000	70 000
		11	0.4331	4	0.1575	4	0.1575	0.15	0.0059	694⁽¹⁾	694ZZ	2RS	—	—	959	347	57 000	67 000
		12	0.4724	4	0.1575	4	0.1575	0.20	0.0079	604⁽¹⁾	604ZZ	2RS	—	—	959	347	57 000	67 000
		13	0.5118	5	0.1969	5	0.1969	0.20	0.0079	624⁽¹⁾	624ZZ	2RS	2RU	—	1 300	485	51 000	60 000
		16	0.6299	5	0.1969	5	0.1969	0.30	0.0118	634⁽¹⁾	634ZZ	2RS	—	—	1 340	517	46 000	54 000
		8	0.3150	2	0.0787	—	—	0.10	0.0039	MR85	—	—	—	—	309	121	62 000	74 000
5	0.1969	8	0.3150	—	—	2.5	0.0984	0.10	0.0039	—	MR85ZZ	—	—	—	218	91	63 000	75 000
		9	0.3543	2.5	0.0984	3	0.1181	0.15	0.0059	MR95	MR95ZZ	—	—	—	432	168	60 000	71 000
		9	0.3543	—	—	3	0.1181	0.15	0.0059	—	—	—	—	TTS	432	168	47 000	47 000
		10	0.3937	3	0.1181	4	0.1575	0.15	0.0059	MR105	MR105ZZ	2RS	—	—	432	168	60 000	71 000
		11	0.4331	4	0.1575	4	0.1575	0.15	0.0059	MR115⁽¹⁾	MR115ZZ	2RS	—	—	716	283	54 000	64 000
		11	0.4331	3	0.1181	5	0.1969	0.15	0.0059	685	685ZZ	2RS	—	—	716	283	54 000	64 000
		13	0.5118	4	0.1575	4	0.1575	0.20	0.0079	695⁽¹⁾	695ZZ	2RS	—	—	1 080	430	50 000	59 000
		14	0.5512	5	0.1969	5	0.1969	0.20	0.0079	605⁽¹⁾	605ZZ	2RS	—	—	1 330	507	48 000	56 000

(1) Open bearings have shield/seal grooves.

(2) Single-shielded/single-sealed bearings are also available; suffix Z, RS, RU or TS.

(3) Applicable only for open, single Z, ZZ, single RU and 2RU types in inner ring rotating conditions.

Limiting speeds for the contact rubber seal(s) types can be lower than the above-mentioned values, so please check the detailed values per item on "products" section of our website.

(4) Some items are also available with the TW cage. Please contact us for details.