



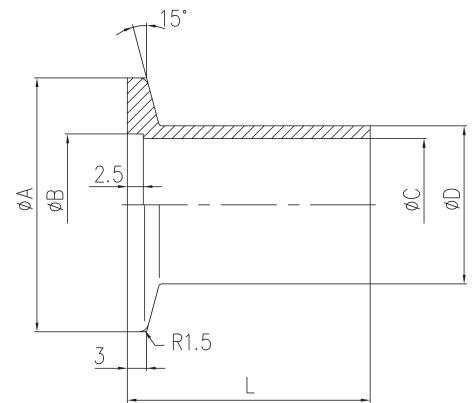
### Applications

- Extreme UHV up to 10E-11 mbar
- Stainless steel for hassle free operations
- For inner and outer center rings
- Antimagnetic versions available
- For radiation hardened and cryo applications
- Temperature range -270 ... +350 degC
- Extreme surface precision and flatness even under high bending
- Different welding stub length available

11

### KF flanges, UHV

NW	A	B	C	D	L	
					short	long
10	30	12.2	10	14	20	50
16	30	17.2	16	20	20	50
25	40	26.2	24	28	20	50
40	55	41.2	40	44.5	25	50
50	75	52.2	50	57	30	60
63	87		70	76	30	60



Type NW	Short flange 304	Short flange 316L	Long flange 304	Long flange 316L
10	32.010003.111.510	32.010005.111.310	32.010003.112.510	32.010005.112.310
16	32.016003.111.516	32.016005.111.316	32.016003.112.516	32.016005.112.316
25	32.025003.111.525	32.025005.111.325	32.025003.112.525	32.025005.112.325
40	32.040003.111.540	32.040005.111.340	32.040003.112.540	32.040005.112.340
50	32.050003.111.550	32.050005.111.350	32.050003.112.550	32.050005.112.350
63	32.063003.111.563	32.063005.111.363	32.063003.112.563	32.063005.112.363