

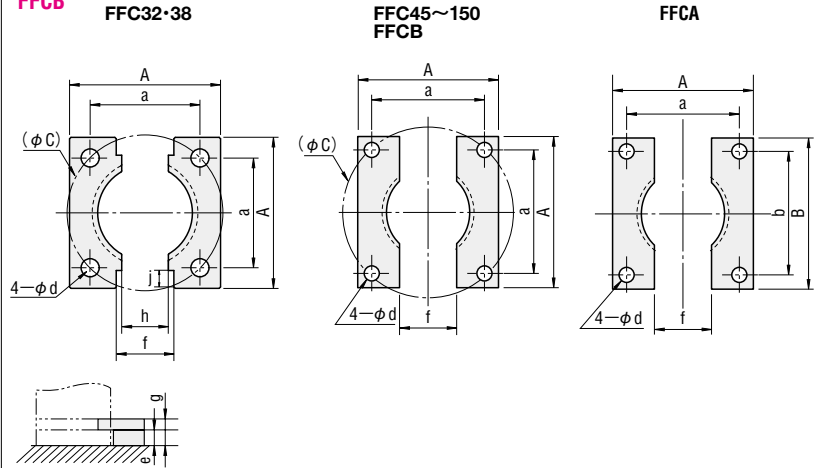


PLATES FOR GAS SPRINGS

— VERTICAL SETTING TYPE —

RoHS

FFC
FFCA
FFCB



M Equivalent to S45C
S Black oxide (Fe₃O₄)

A	a	C	d	f	h	j	g	e	Catalog No.	Adaptable gas spring						Recommended bolts(×4)	
										GSV	GST	GSH	GSK	GSSC	GSU		
50	35	49.5	6.6	21	17	6.5	7	4	FFC	32	350	350	—	150	750	300	CB6 —18
55	40	56.7	6.6	21	17	6.5	7	4		38	500	500	—	250	1000	—	CB6 —18
70	50	70.7	9	20	—	—	7	4		45	750	750	—	500	—	—	CB8 —20
75	56.5	79.9	9	24	—	—	12	8		50	1000	—	1000	750	1800	—	CB8 —25
85	63.5	89.8	11	24	—	—	12	8		63	1500	—	1500	—	3000	—	CB10—30
100	73.5	104	11	24	—	—	12	8		75	2400	—	2400	1500	4700	—	CB10—30
120	92	130.1	13.5	24	—	—	12	8		95	4200	—	4200	3000	7500	—	CB12—30
140	109.5	154.9	13.5	24	—	—	12	8		120	6600	—	6600	5000	12000	—	CB12—30
190	138	195.1	17.5	24	—	—	12	8		150	9500 12000	—	—	—	18500	—	CB16—40
210	170	240.4	17.5	24	—	—	13	8		195	20000	—	—	10000	—	—	CB16—40

A	a	B	b	d	f	g	e	Catalog No.	Adaptable gas spring						Recommended bolts(×4)	
									GSV	GST	GSH	GSK	GSSC	GSU		
50	40	27	18	6.6	20	7	4	FFCA	32	350	350	—	150	750	300	CB6 —18
55	44	33	20	6.6	20	7	4		38	500	500	—	250	1000	—	CB6 —18
70	57	40	27	9	25	7	4		45	750	750	—	500	—	—	CB8 —20
75	62	45	32	9	25	12	8		50	1000	—	1000	750	1800	—	CB8 —25
85	69	58	42	11	30	12	8		63	1500	—	1500	—	3000	—	CB10—30
100	84	70	54	11	30	12	8		75	2400	—	2400	1500	4700	—	CB10—30
120	100	90	70	13.5	40	12	8		95	4200	—	4200	3000	7500	—	CB12—30
140	120	115	95	13.5	50	12	8		120	6600	—	6600	5000	12000	—	CB12—30
190	165	145	120	17.5	60	12	8		150	9500 12000	—	—	—	18500	—	CB16—40
210	185	190	165	17.5	80	13	8		195	20000	—	—	10000	—	—	CB16—40

A	a	C	d	f	g	e	Catalog No.	Adaptable gas spring						Recommended bolts(×4)	
								GSV	GST	GSH	GSK	GSSC	GSU		
100	73.5	103.9	11	24	12	8	FFCB 63	1500	—	1500	—	3000	—	—	CB10—30



Order

Catalog No.

FFC38
FFCA75
FFCB63
FFM19
FFS63



Days to Ship

Quotation



Price

Quotation