

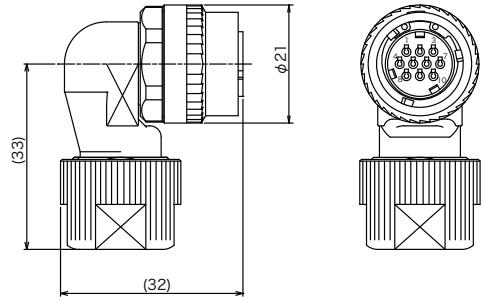
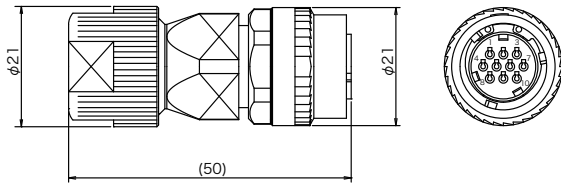
▶ 10-Contact Plug

- Contact Style : Socket
- Termination : Solder or Crimp
- The contact is sold separately.

Straight Plug



Right Angle Plug



Straight Plug P/N	Angle Plug P/N	Cable Outside Dia.
CMV1-SP10S-S	CMV1-AP10S-S	φ 4.0 ~ φ 6.0
CMV1-SP10S-M1	CMV1-AP10S-M1	φ 5.5 ~ φ 7.5
CMV1-SP10S-M2	CMV1-AP10S-M2	φ 7.0 ~ φ 9.0
CMV1-SP10S-L	CMV1-AP10S-L	φ 9.0 ~ φ 11.6

▶ Contact of 10-Contact Plug

Loose Piece Contact(Solder/Crimping Type)

Item	Contact P/N (100 pcs. in 1 bag)	Applicable Cable		Hand Tool P/N	Extraction Tool P/N
		Conductor Size	Insulation Dia.		
Crimping Type	CMV1-#22ASC-C1-100	20 ~ 24AWG	φ 1.40 ~ 2.00	357J-53162T	357J-53184T
	CMV1-#22ASC-C2-100	24 ~ 28AWG	φ 1.08 ~ 1.60	357J-53163T	
Soldering Type	CMV1-#22ASC-S1-100	20AWG Max.			

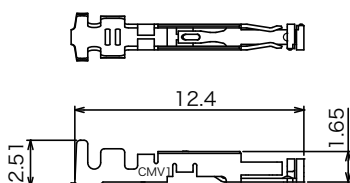
1. The packaging specification is 100 pcs of contacts per bag for sale.
2. Both of the solder contacts and the crimp contacts shall be inserted into the inserts of the connectors after soldering the contacts to the cable or crimping the contacts with the cable.
3. Above tools are dedicated to CMV1 series. Tools for conventional CM10 series can not be applicable.

Reel Contact for Semi-Automatic Machine (Crimping Type)

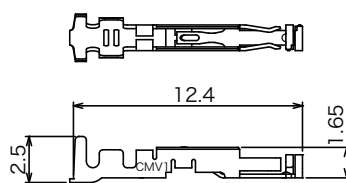
Contact P/N 5000 pcs. /1 Reel	Applicable Wire		Semi-Automatic Crimping Machine			Extraction Tool P/N
	Conductor Size	Insulation Dia.	Machine Type	1-Set P/N	Applicator P/N	
CMV1-#22ASC-C1-5000	20 ~ 24AWG	φ 1.40 ~ φ 2.00	Stripper Crimper	AP-A53165T-A	AP-A53165T	357J-53184T
			Crimper	AP-A53176T-A	AP-A53176T	
CMV1-#22ASC-C2-5000	24 ~ 28AWG	φ 1.08 ~ φ 1.60	Stripper Crimper	AP-A53166T-A	AP-A53166T	
			Crimper	AP-A53177T-A	AP-A53177T	

1. Applicator (AP-A53165T/AP-A53166T) are combined with the semi-automatic crimping machine which is provided with stripper.
2. Applicator (AP-A53176T/AP-A53177T) are combined with the semi-automatic crimping machine.
※ Semi-automatic crimping machine is common with CM10(D6) series.
3. Above applicators are dedicated to CMV1 series. Tools for conventional CM10 series can not be applicable.

CMV1-#22ASC-C1- □□□□



CMV1-#22ASC-C2- □□□□



CMV1-#22ASC-S1- □□□□

