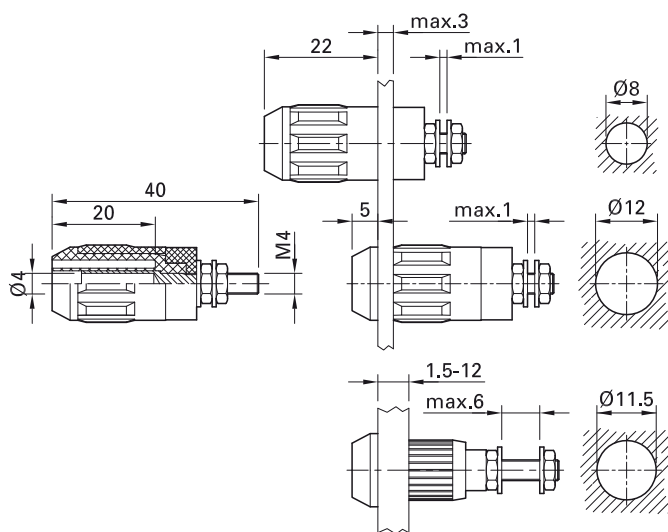


Universal socket XUB-G

Insulated, rigid, Ø 4 mm, accepting spring-loaded Ø 4 mm plugs with rigid insulating sleeve. Machined brass. The socket is surface-mounted, assembled flush, or

pressed into pre-drilled panels of plastic, metal, etc. **Connection: Threaded bolt M4.**

Optional: Protective cap SD-XUB to cover up unplugged, unused sockets (Protection degree IP67).



Order No.	Type	Rated voltage/current		*Standard colors										
66.9684-*	XUB-G	600 V ¹⁾ , CAT II / 20 A 1000 V ²⁾ , CAT II / 20 A	Ni c RU us	<table border="1"> <tr> <td>20</td> <td>21</td> <td>22</td> <td>23</td> <td>24</td> </tr> <tr> <td>25</td> <td>27</td> <td>29</td> <td></td> <td></td> </tr> </table>	20	21	22	23	24	25	27	29		
20	21	22	23	24										
25	27	29												

¹⁾ Surface-mounted

²⁾ Assembled flush or pressed in



Optional colors 26 28

Further information, page 6



Protective cap SD-XUB, page 168

Press-in tool MB4-S, page 171



Assembly instructions MAH507

www.staubli.com/electrical