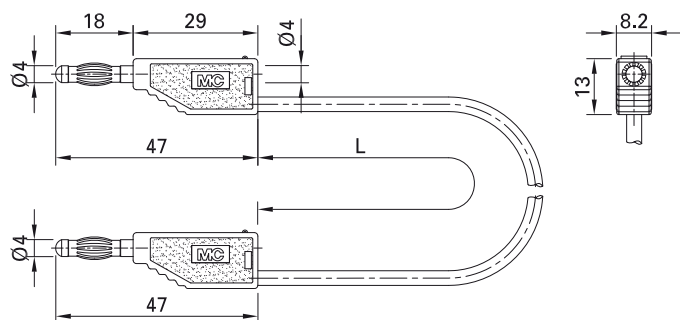


# Test leads

## Test lead LK4...X

Highly flexible, with stackable Ø 4 mm MULTILAM plugs on both ends.



Order No.	Type	Rated voltage/ current	Lead	User information		Lead lengths L [cm]	*Standard colors
28.0116-□*	LK410-X	30 VAC / 19 A 60 VDC / 19 A	PVC 1.0 mm <sup>2</sup>	i096	Ni	025 050 075 100 150 200	20 21 22 23 24 25 26 27 29
28.0119-□*	LK425-A/X	30 VAC / 32 A 60 VDC / 32 A	PVC 2.5 mm <sup>2</sup>	i099	Ni	025 050 075 100 150 200	20 21 22 23 24 25 26 27 29



Optional colors <sup>28</sup>

Optional lengths on demand

Further information, page 6



User information **i096, i099**

[www.staubli.com/electrical](http://www.staubli.com/electrical)