

Aluminum Profile Push Button Box

Nomenclature

SG - **MS** - **22** **01** **A**
 ① ② ③ ④

- ① **Product name**
Multi Switch Box
- ② **Hole size**
Ø12 / Ø16 / Ø22 / Ø25 / Ø30
- ③ **Number of holes**
1 / 2 / 3 / 4 / 5 / 6 holes
- ④ **Product type**
M / MA / A / B / C / D / E

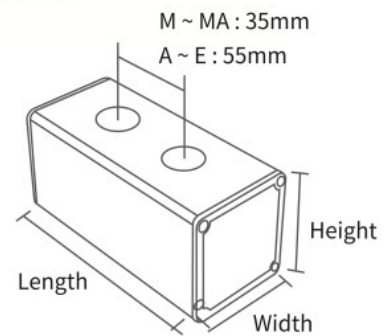


Feature

Because the product has holes (Ø12, Ø16, Ø22, Ø25, Ø30), it can be easily used as a switch box without a separate process. Laser nameplate marking on the product is also available

Product Specifications

Color : Main body - Silver /
 Side plate - Orange
 Tolerance : ± 1mm
 Operating temperature : -20°C ~ +70°C
 Material : Aluminum profile (anodizing) /
 ABS incombustible (side plate)



Model	Size(mm)				Model	Size(mm)			
	Type	Width	Height	Length		Type	Width	Height	Length
SG-MS-1201	M	50	50	70	SG-MS-1204	M	50	50	175
SG-MS-1601	MA	50	70		SG-MS-1604	MA	50	70	
SG-MS-1202	M	50	50	105	SG-MS-1205	M	50	50	210
SG-MS-1602	MA	50	70		SG-MS-1605	MA	50	70	
SG-MS-1203	M	50	50	140	SG-MS-1206	M	50	50	245
SG-MS-1603	MA	50	70		SG-MS-1606	MA	50	70	
SG-MS-2201	A	70	50	90	SG-MS-2204	A	70	50	255
SG-MS-2501	B	70	70		SG-MS-2504	B	70	70	
	C	70	90		SG-MS-2504	C	70	90	
	D	90	70		SG-MS-2504	D	90	70	
	E	90	90		SG-MS-2504	E	90	90	
SG-MS-3001	E	90	90		SG-MS-3004	E	90	90	
SG-MS-2202	A	70	50	145	SG-MS-2205	A	70	50	310
SG-MS-2502	B	70	70		SG-MS-2205	B	70	70	
	C	70	90		SG-MS-2505	C	70	90	
	D	90	70		SG-MS-2505	D	90	70	
	E	90	90		SG-MS-2505	E	90	90	
SG-MS-3002	E	90	90		SG-MS-3005	E	90	90	
SG-MS-2203	A	70	50	200	SG-MS-2206	A	70	50	365
SG-MS-2503	B	70	70		SG-MS-2206	B	70	70	
	C	70	90		SG-MS-2506	C	70	90	
	D	90	70		SG-MS-2506	D	90	70	
	E	90	90		SG-MS-2506	E	90	90	
SG-MS-3003	E	90	90		SG-MS-3006	E	90	90	