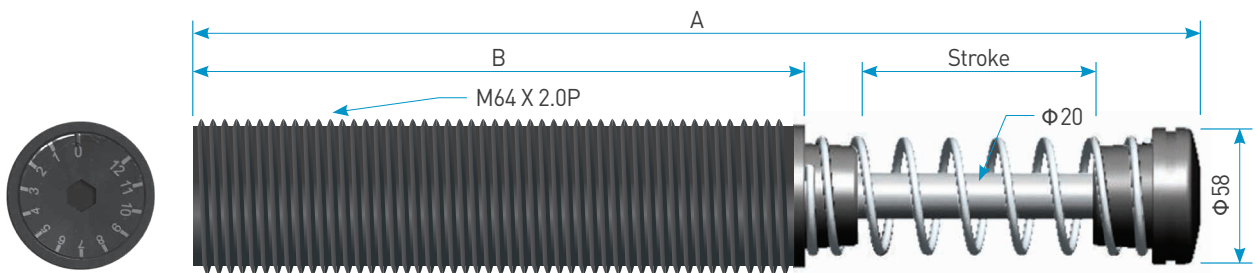


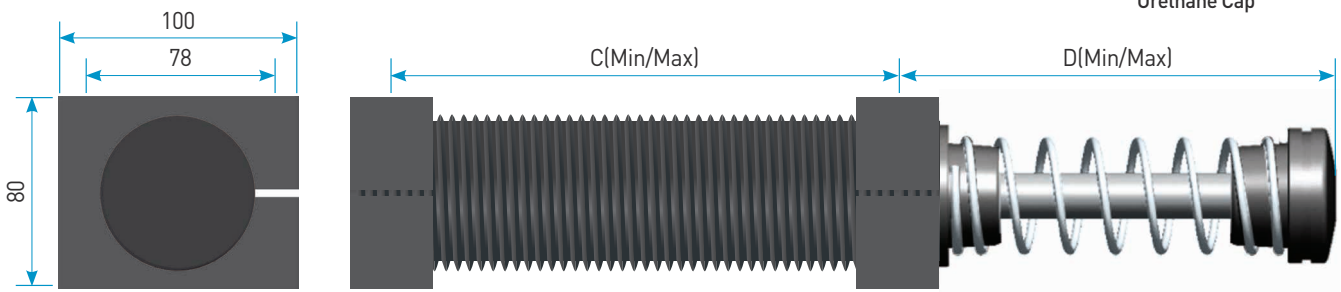
MDA(조정형) 64 Series

Engineering Data

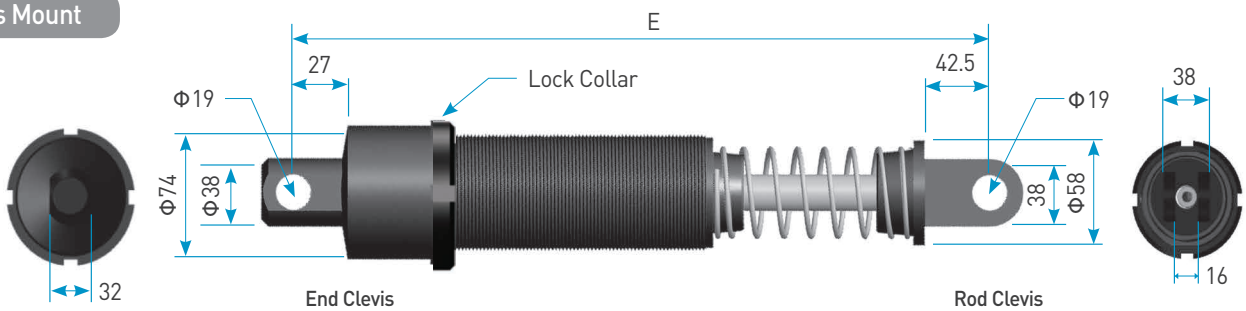
Model	Stroke(mm)	Max.Energy/Cycle (Nm)	Max.Energy/Hour (Nm/h)	Effective Weight (kg)	Recoil Force (N)		Weight (kg)
					Ext.	Comp.	
MDA64 - 50	50	2,220	215,000	178 ~ 49,330	61	133	3.2
MDA64-100	100	4,400	316,000	352 ~ 97,778	59	160	4.6
MDA64-150	150	6,800	408,000	554 ~ 151,110	51	167	6.0



Clamp Mount



Clevis Mount



Dimensions

Model	Stroke	A	B	C	D	E
MDA64-50	50	239	142.5	25/110.5	117.5/160.25	303
MDA64-100	100	375	221.5	25/189.5	174.5/256.75	439
MDA64-150	150	518.5	302	25/269.5	238/360.25	-