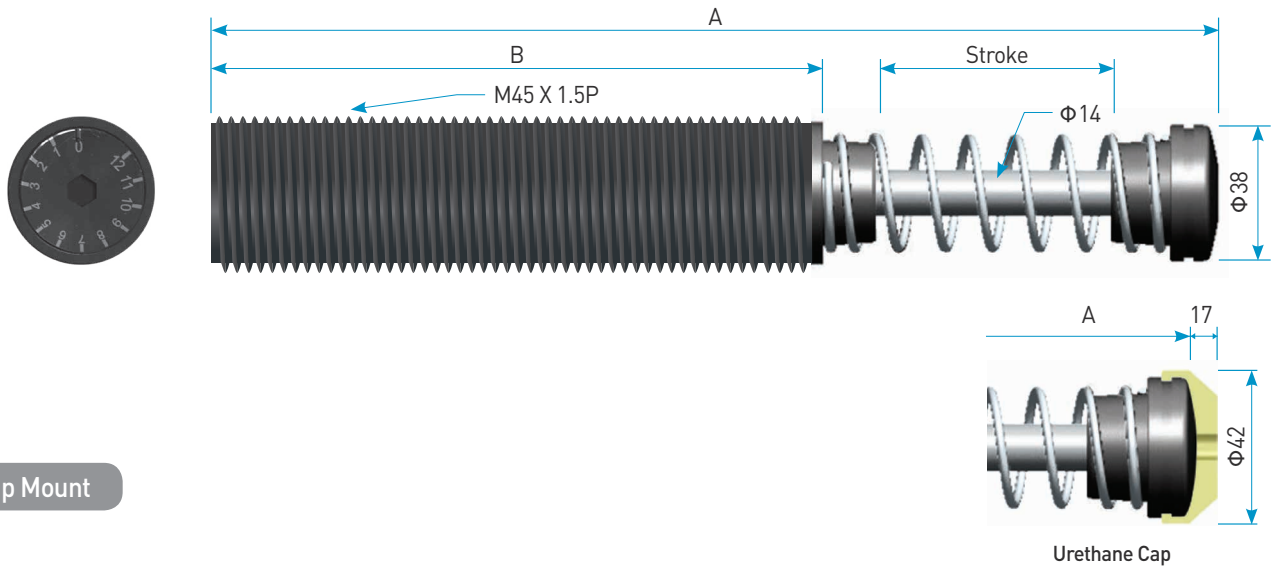


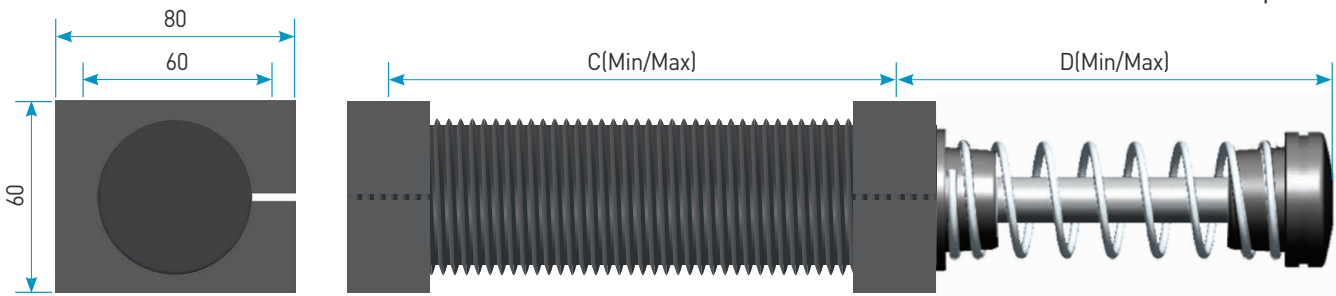
MDA(조정형) 45 Series

Engineering Data

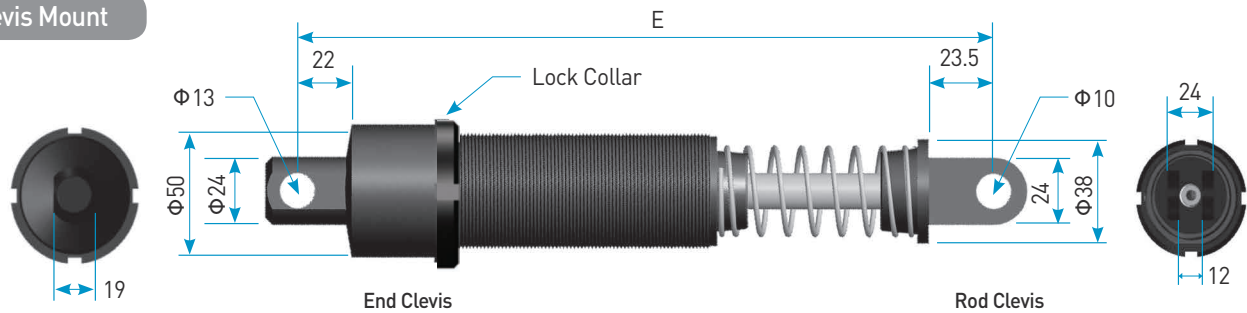
Model	Stroke(mm)	Max.Energy / Cycle (Nm)	Max.Energy / Hour (Nm / h)	Effective Weight (kg)	Recoil Force (N)		Weight (kg)
					Ext.	Comp.	
MDA45-25	25	490	146,000	39 ~ 10,889	50	83	1.1
MDA45-50	50	980	196,000	78 ~ 21,773	46	84	1.3
MDA45-75	75	1,470	220,000	117 ~ 32,667	44	86	1.7



Clamp Mount



Clevis Mount



Dimensions

Model	Stroke	A	B	C	D	E
MDA45-25	25	175.5	93	25 / 68	79.5 / 100.5	206
MDA45-50	50	220.5	129	25 / 104	104 / 143.5	267
MDA45-75	75	292.5	168.5	25 / 143.5	129 / 170.75	339