



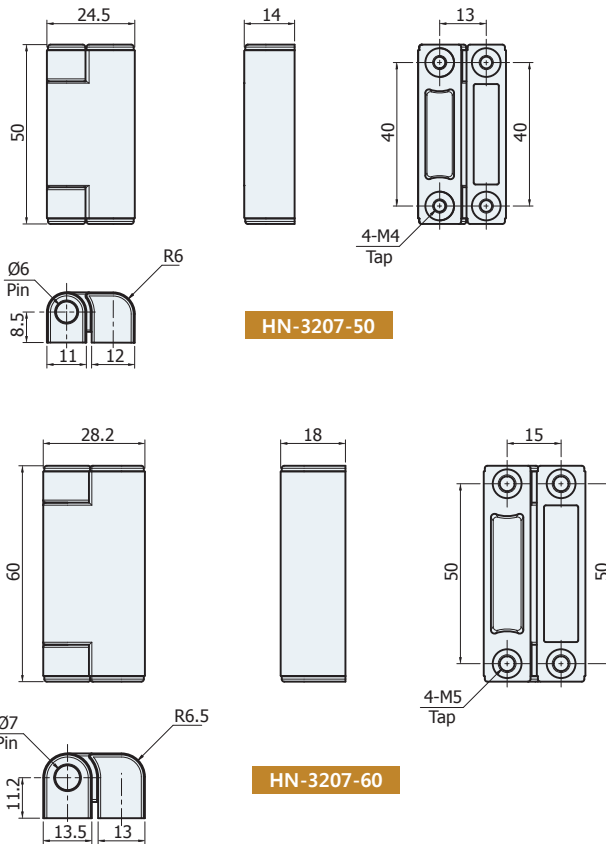
SIZE
50 Height 50
60 Height 60

FINISH
VN Gray chrome
BK Black

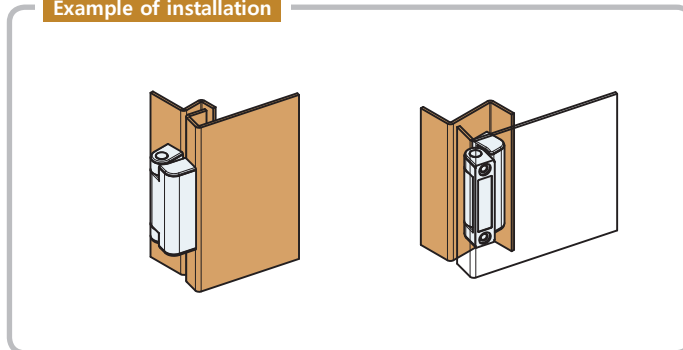
HN-3207-□□

HN-1207-□

<Stainless steel>



Example of installation



재질

아연합금

표면처리

베로아도금, 흑색도금

중량

HN-3207-50 : 86g
HN-3207-60 : 151g

특징

좌우겸용

용도

배전반, 분전반 등

Material

Zinc alloy die-cast

Finish

Gray chrome plated
Black chrome plated

Weight

HN-3207-50 : 86g
HN-3207-60 : 151g

Feature

For both left and right use

Specific use

Panel board etc.