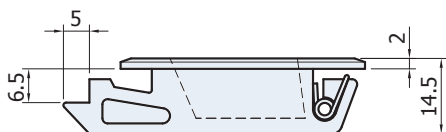
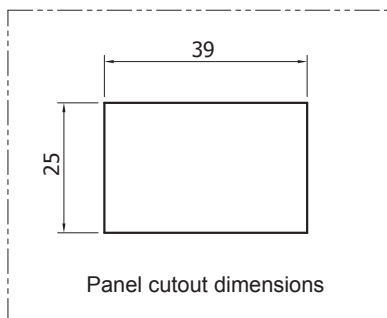
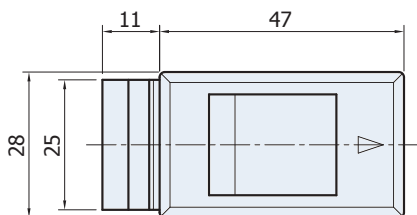
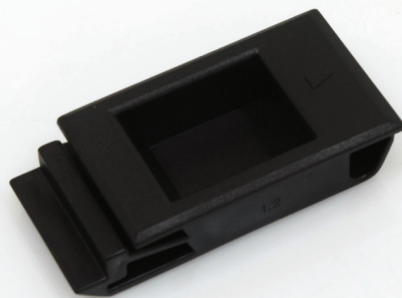


PANEL THICKNESS

 12 : For 1.2t panel
 15 : For 1.5t panel

AL-6510-

재질

플라스틱(ABS)

표면처리

흑색

중량

10g

타입

 AL-6510-12 : 1.2t용
 AL-6510-15 : 1.5t용

특징

원터치로 간편하게 설치

용도

통신장비, 반도체장비 등

Material

Plastic(ABS)

Finish

Black

Weight

10g

Type

 AL-6510-12 : For 1.2t plate
 AL-6510-15 : For 1.5t plate

Feature

One-touch installation

Specific use

 communications equipment
 semiconductor equipment etc.